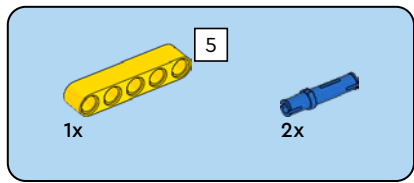
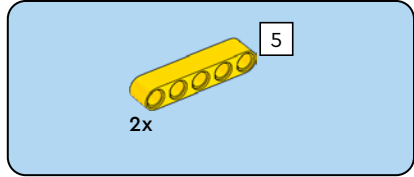
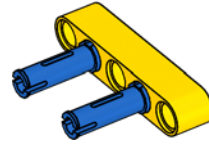


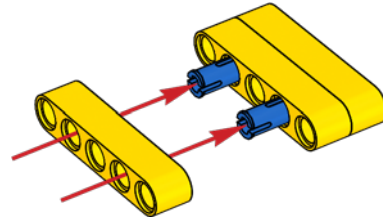
45826

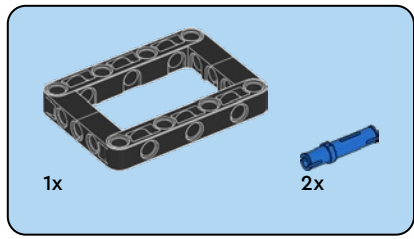


1

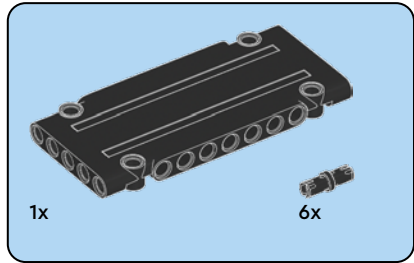
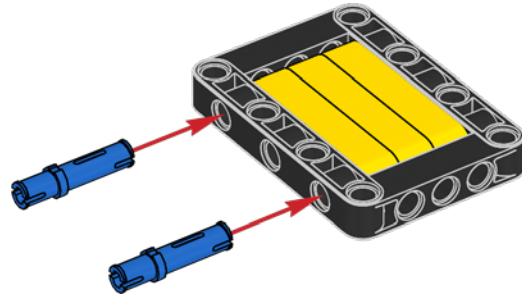


2

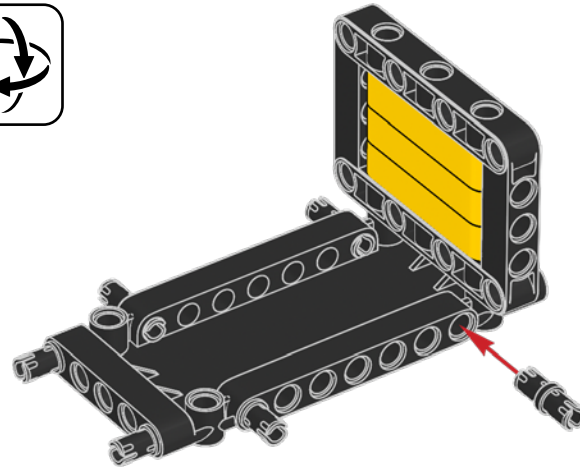
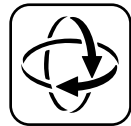




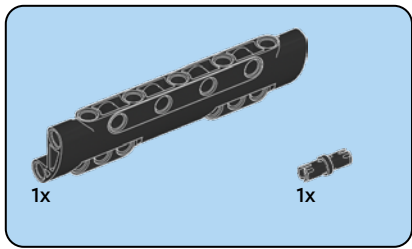
3



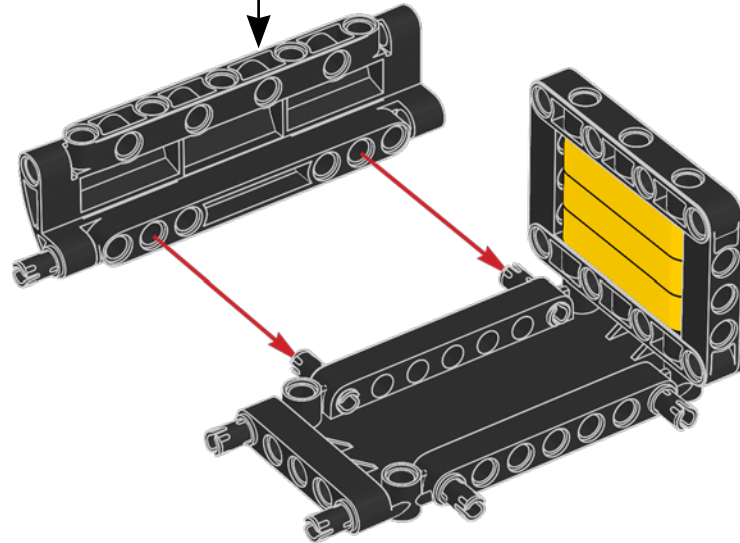
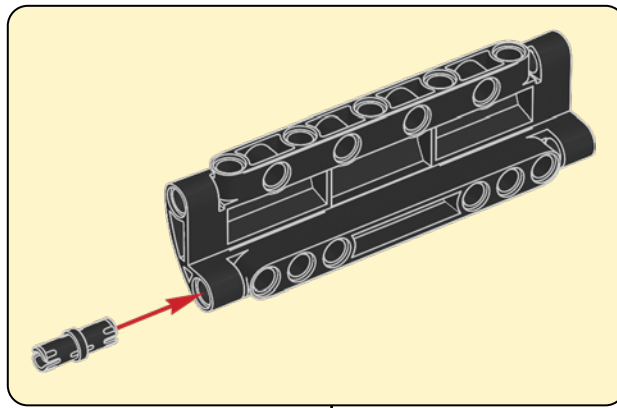
4

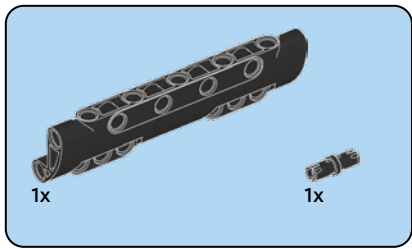


3

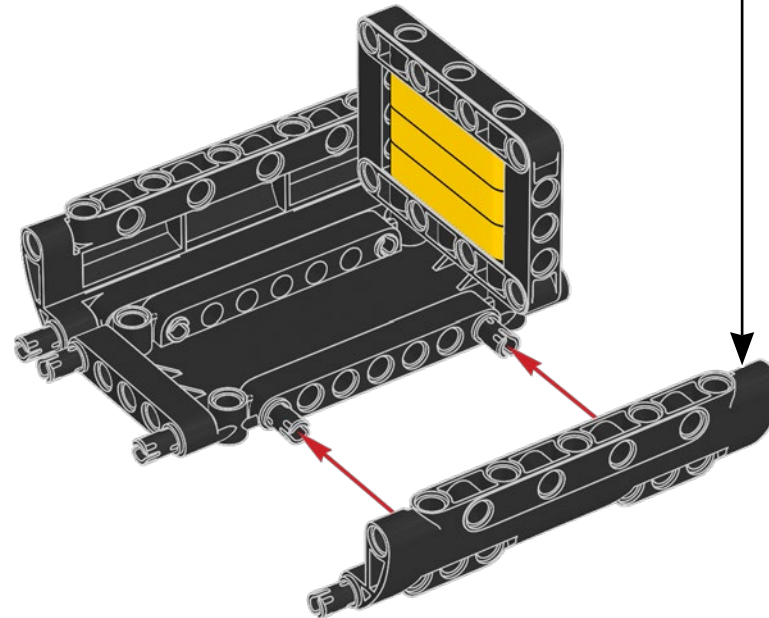
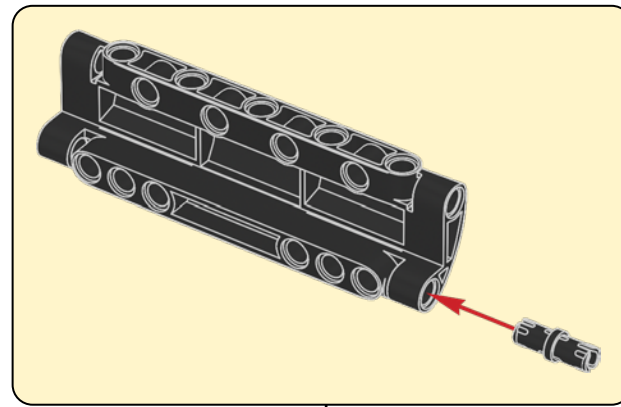


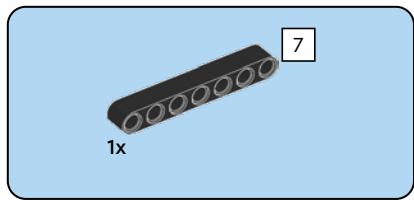
5



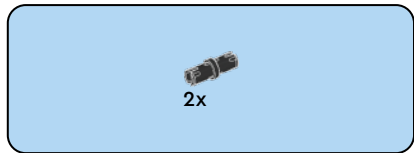
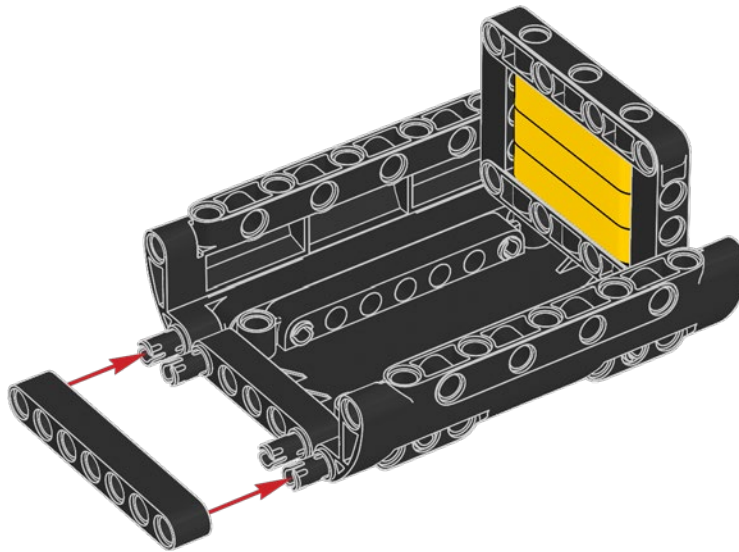


6

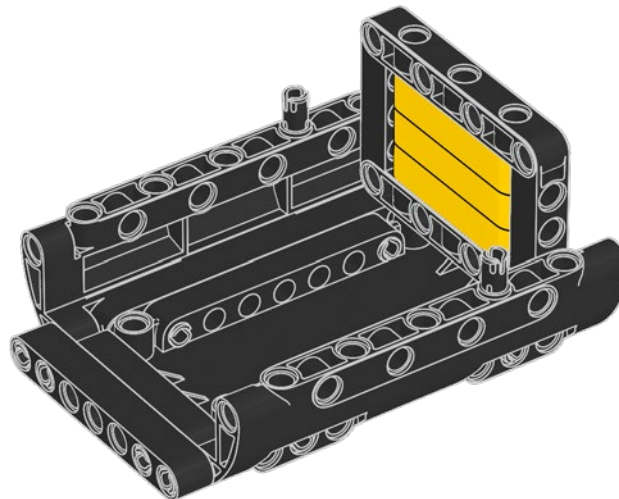


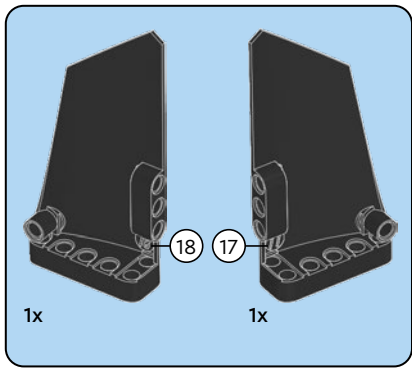


7

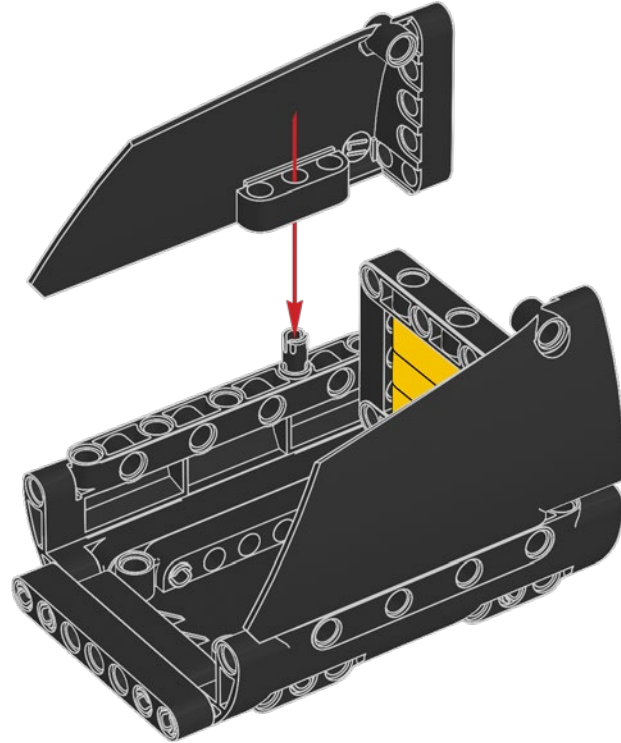


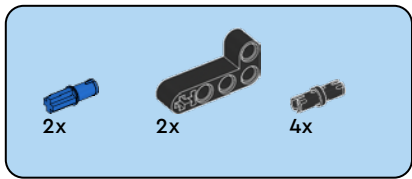
8



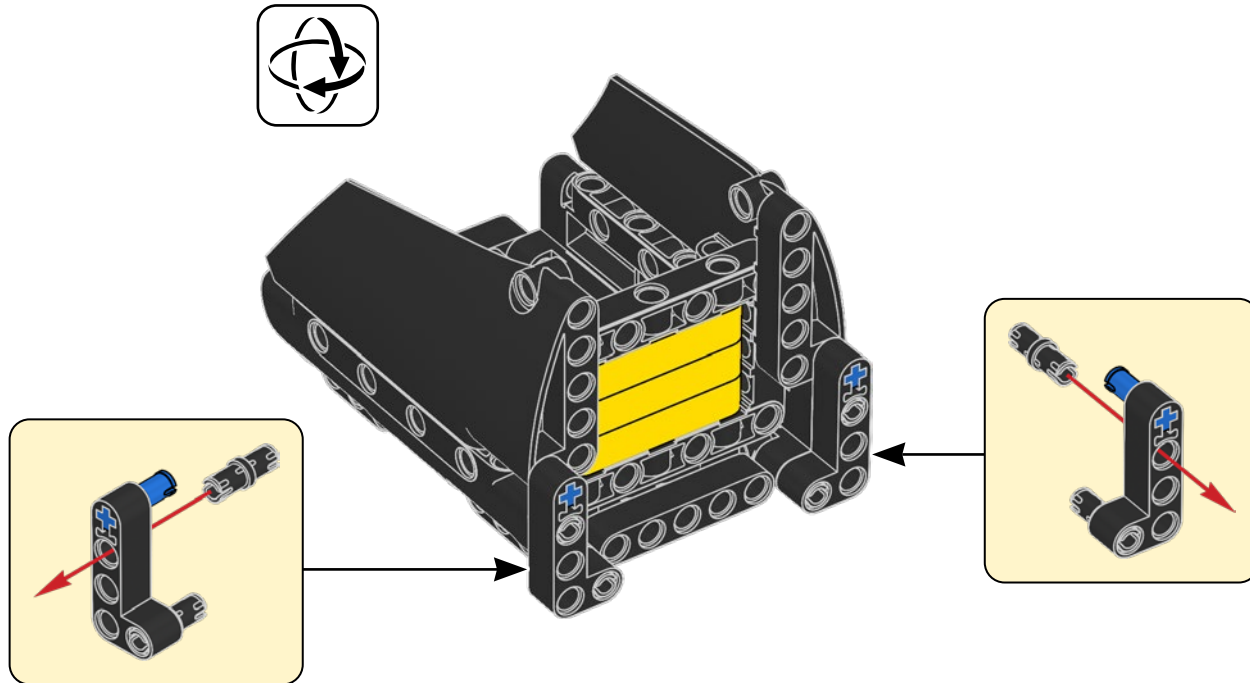


9

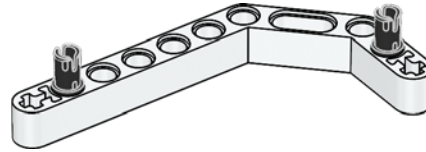
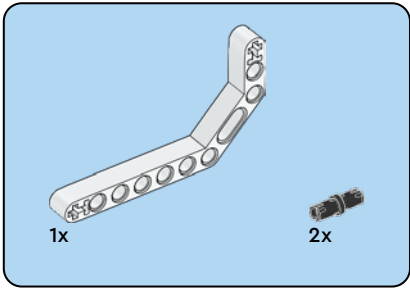
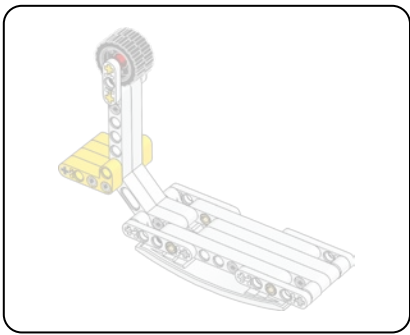




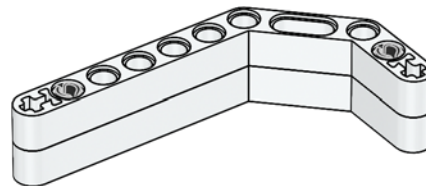
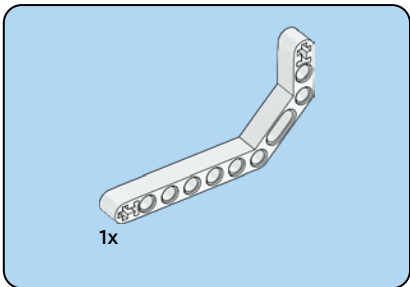
10







11

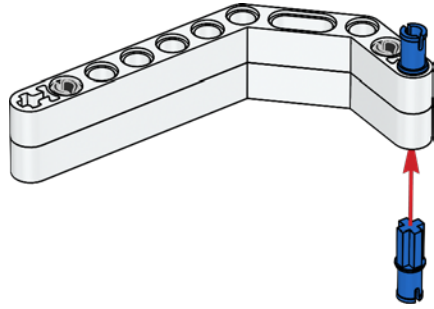


12



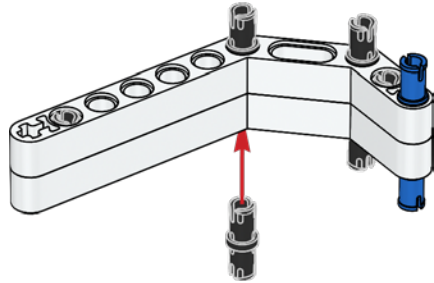
2x

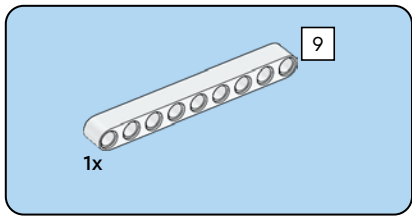
13



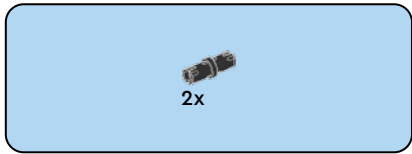
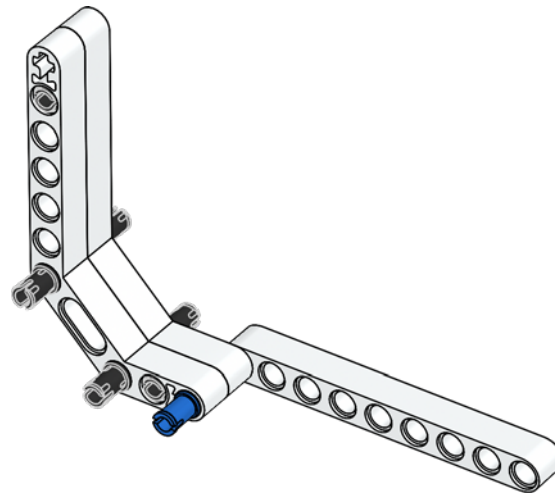
4x

14

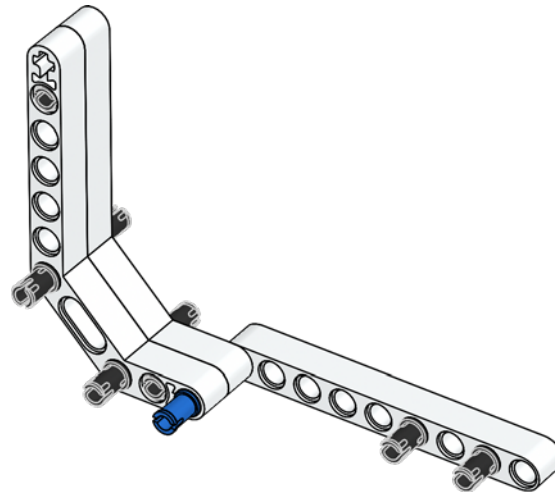


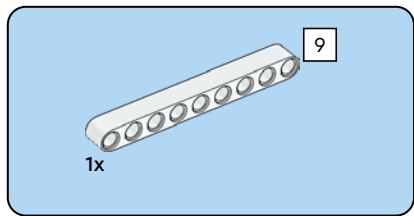


15

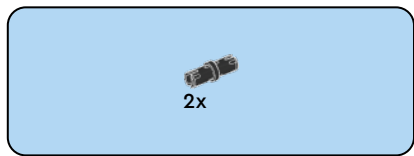
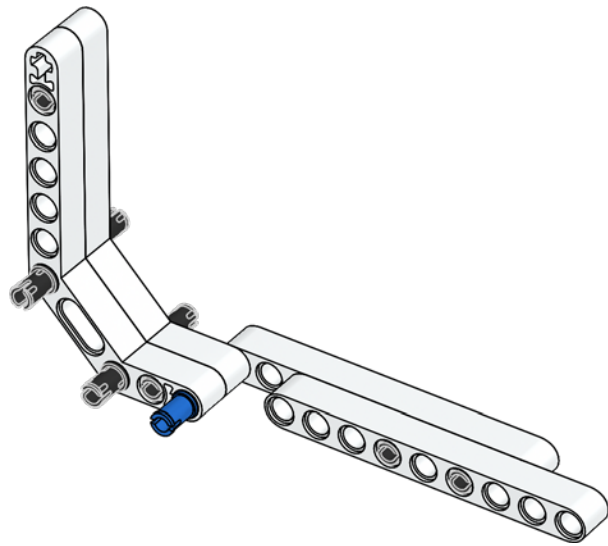


16

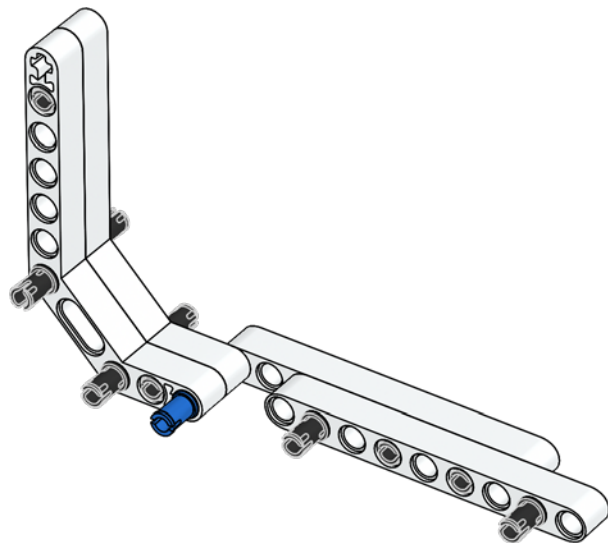


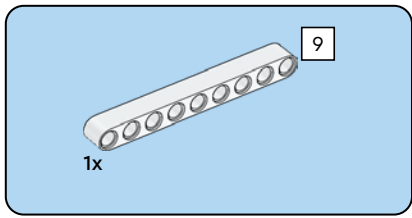


17

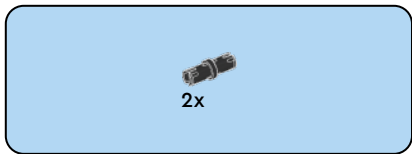
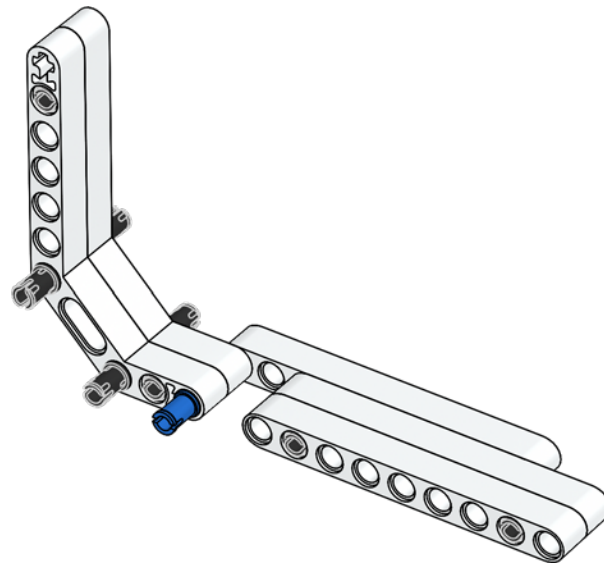


18

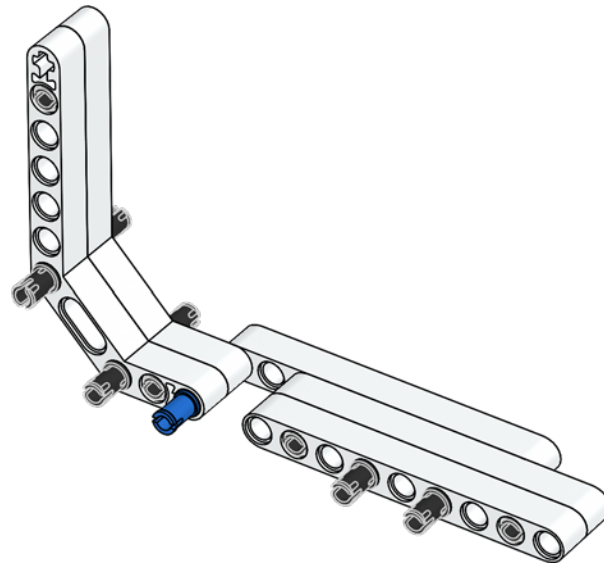


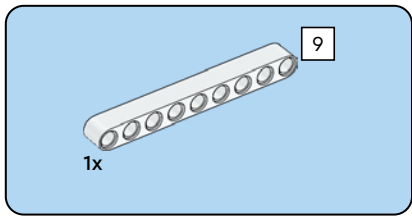


19

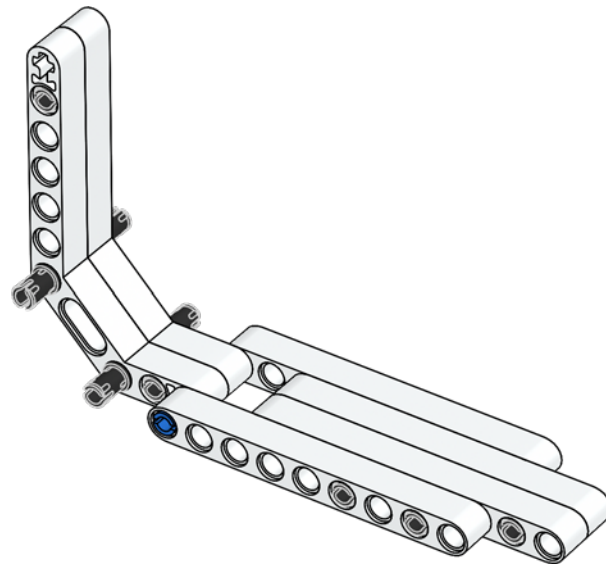


20

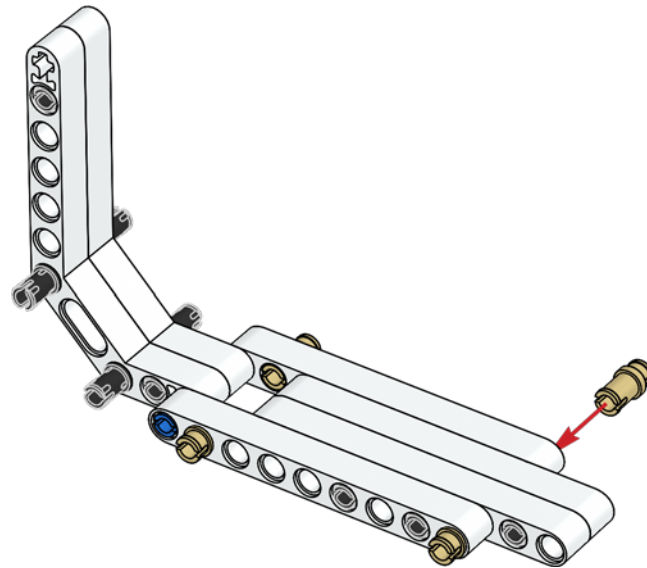


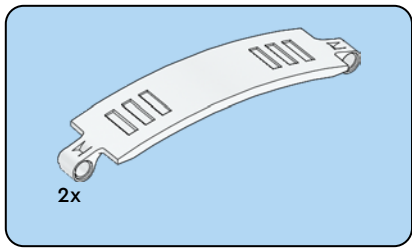


21

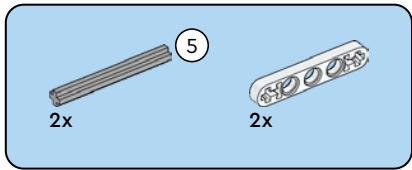
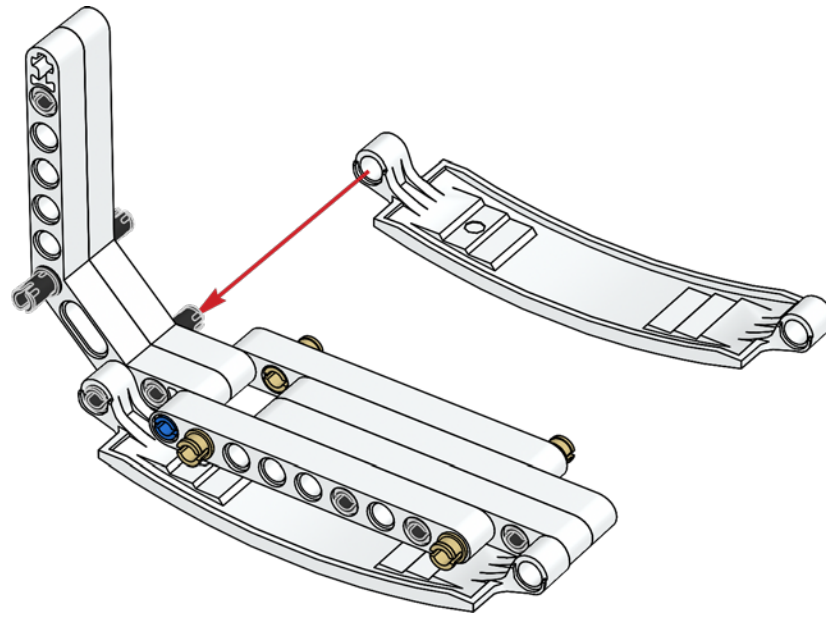


22

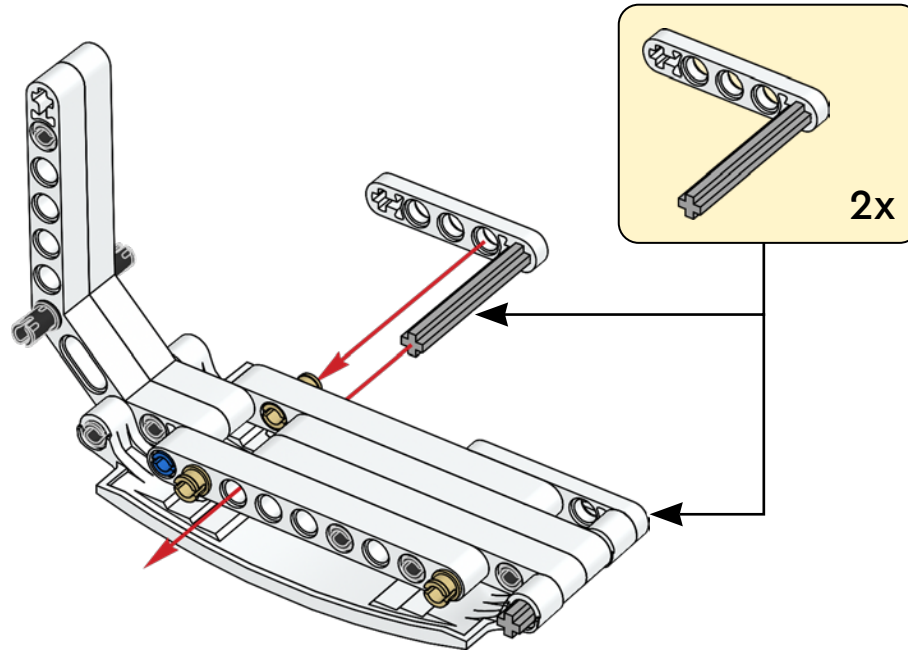


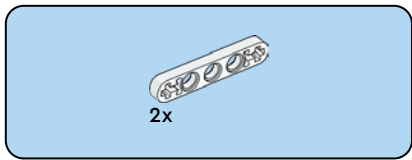


23

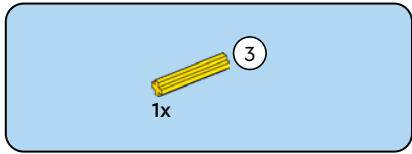
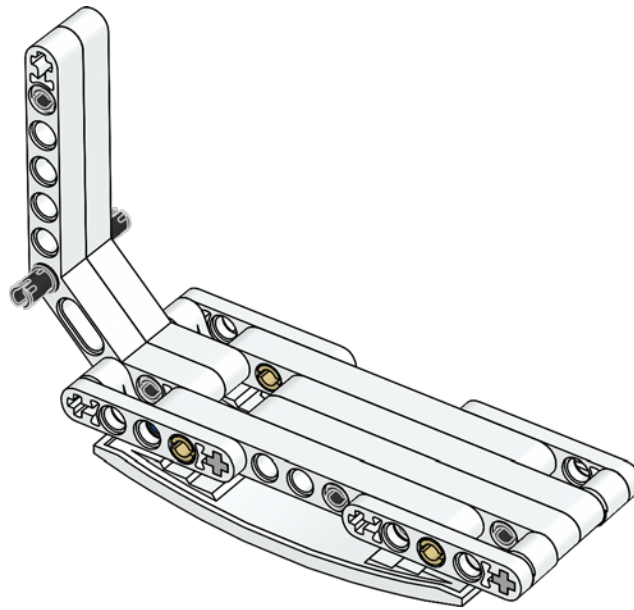


24

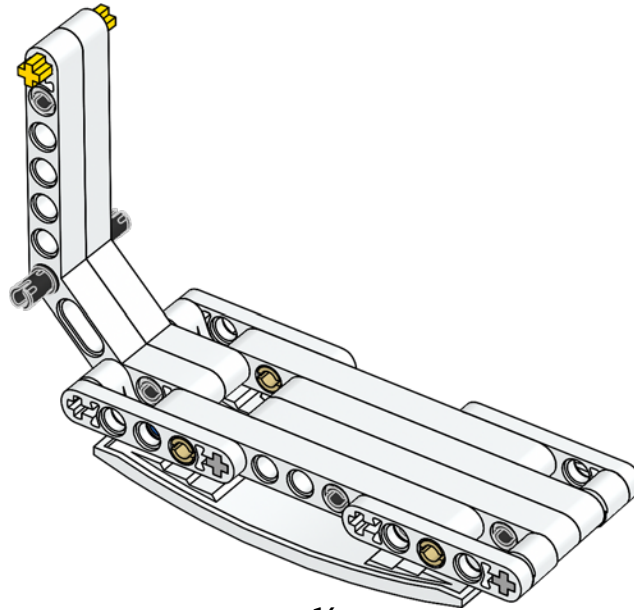




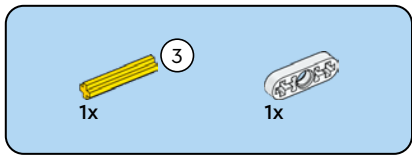
25



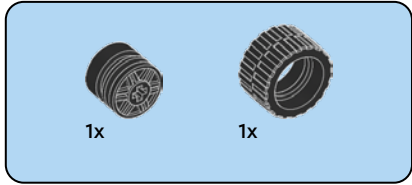
26



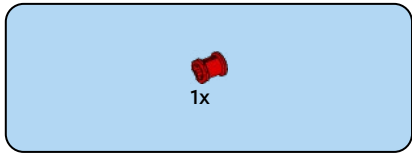
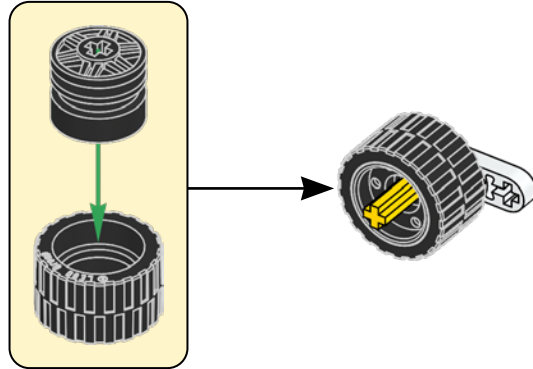




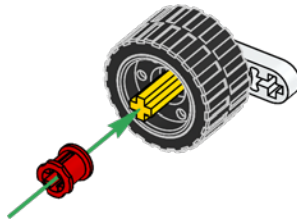
27



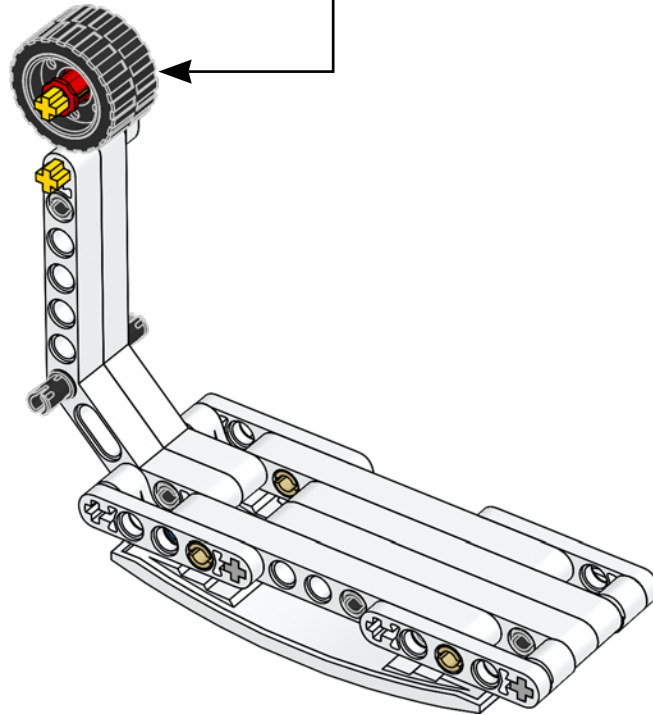
28

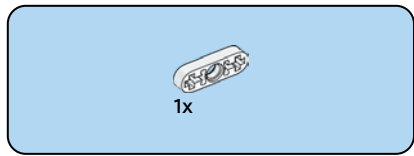


29

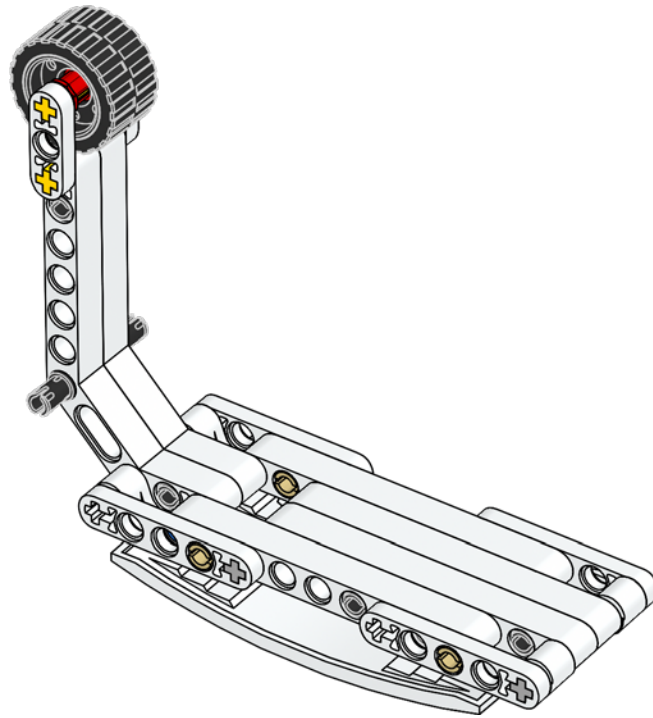


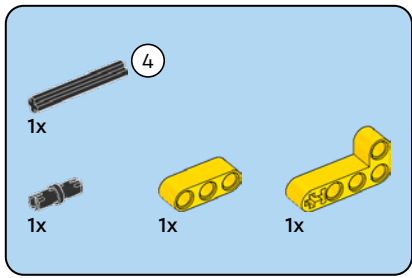
30



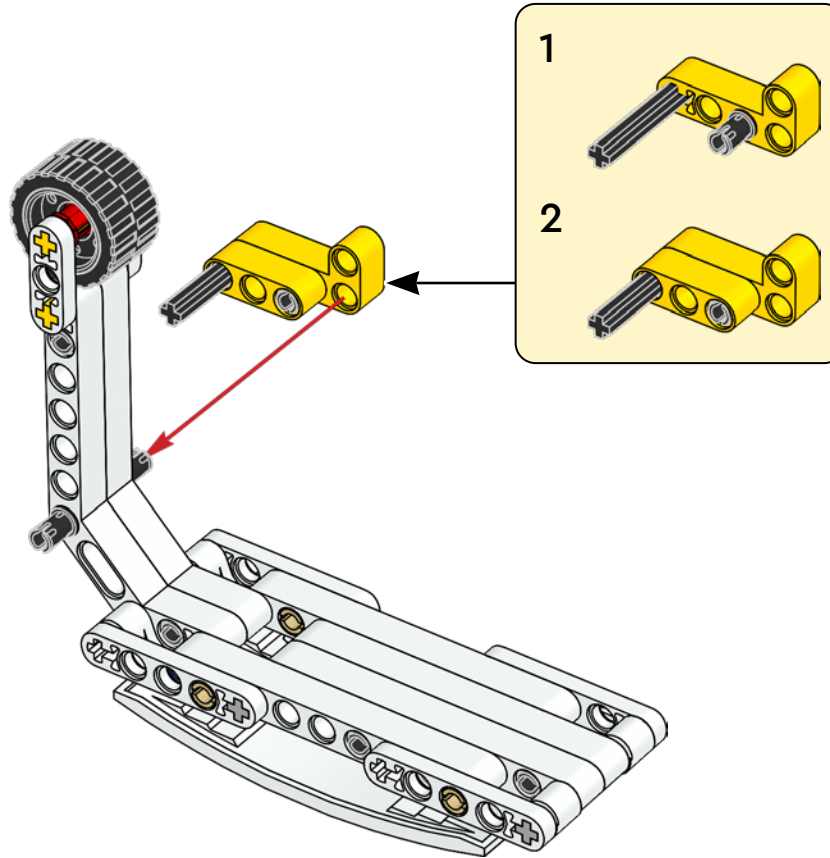


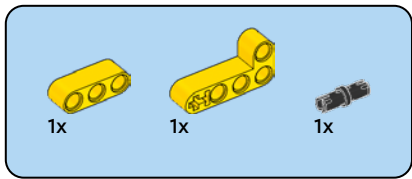
31



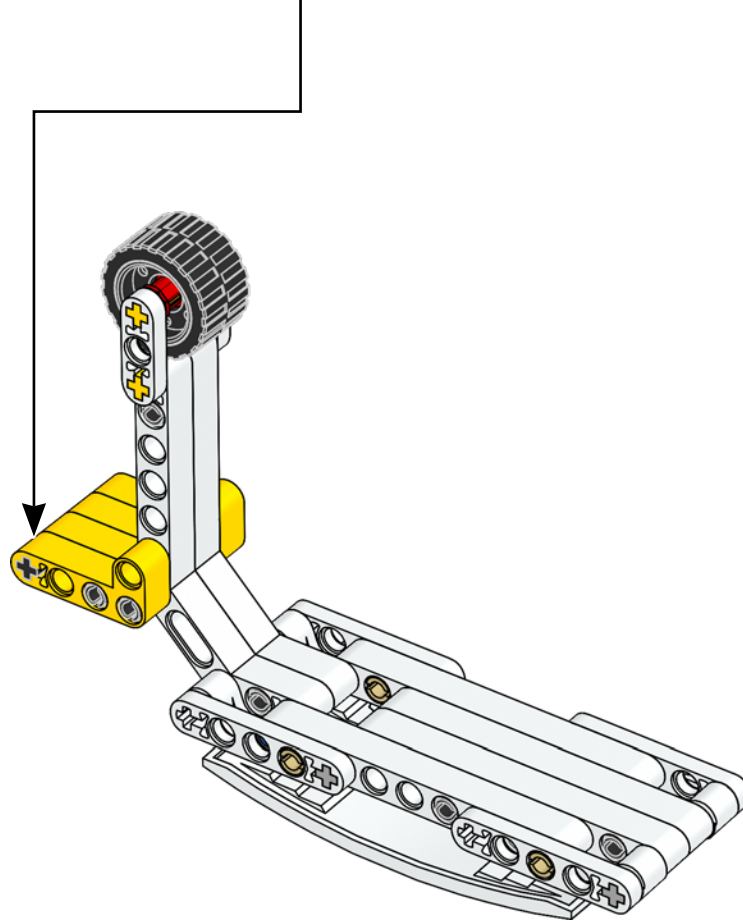
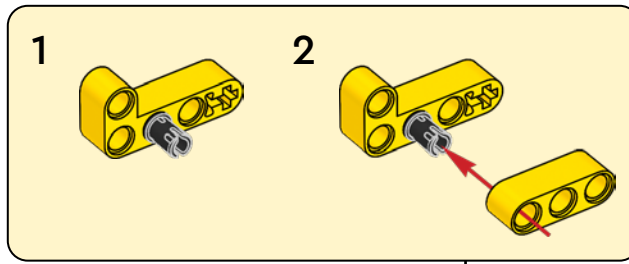


32





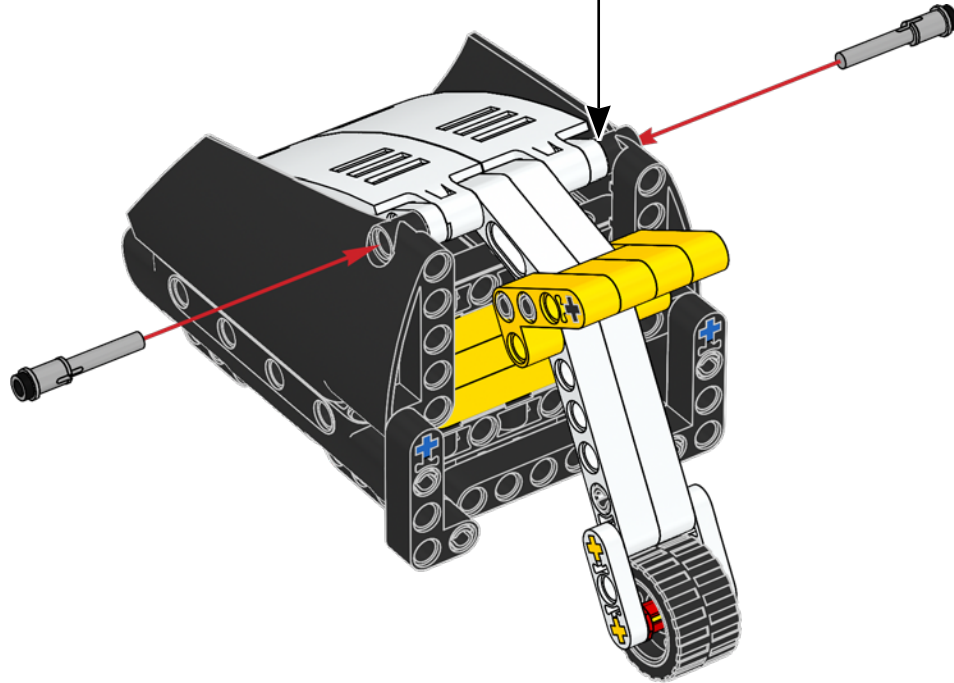
33





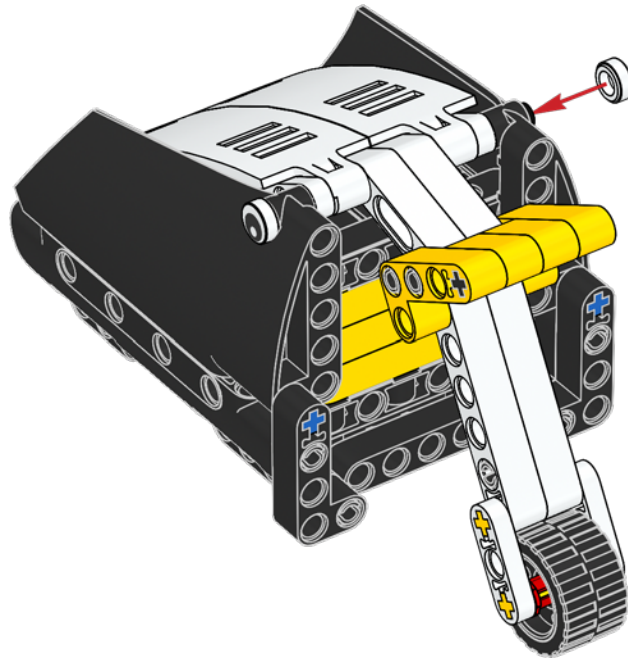
2x

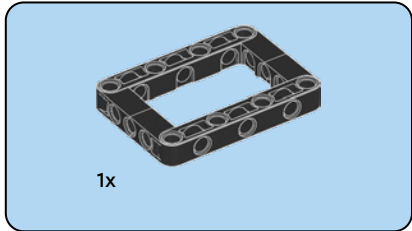
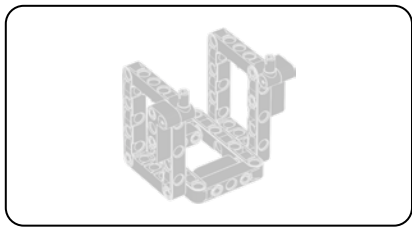
34



2x

35

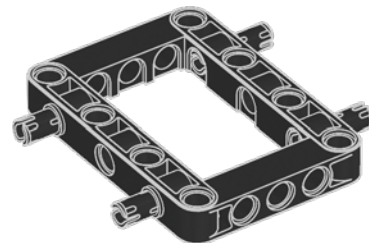
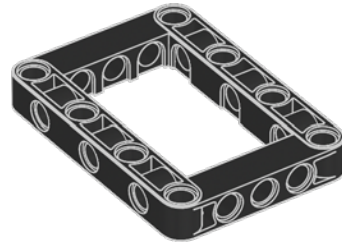




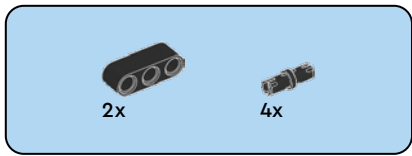
36



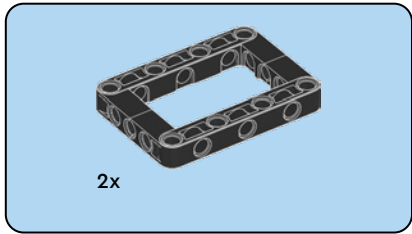
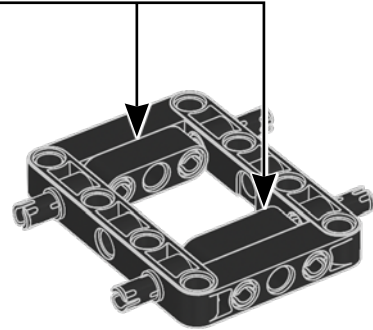
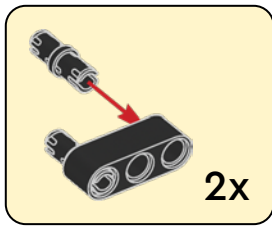
37



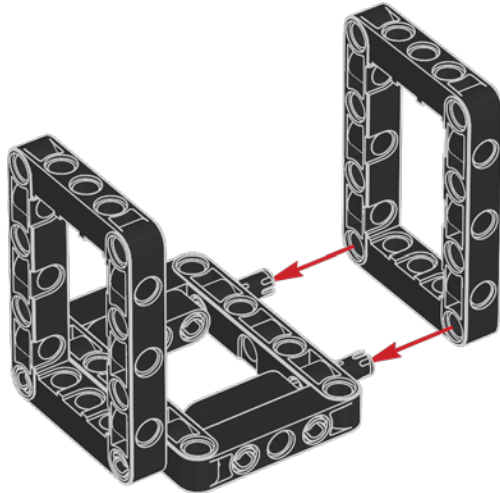




38

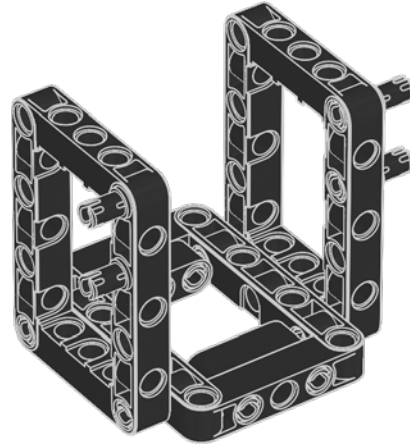


39



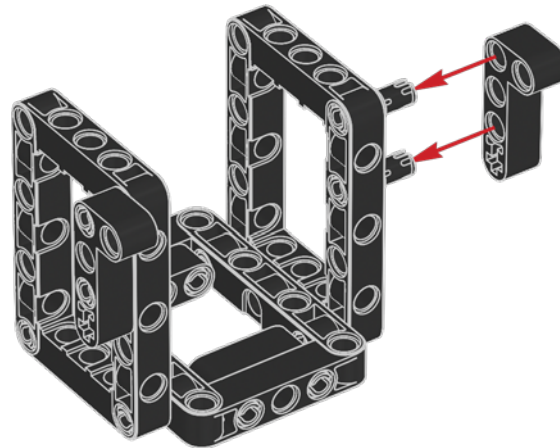
4x

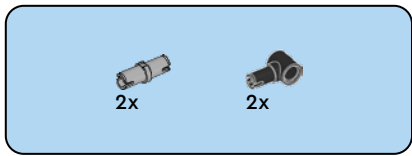
40



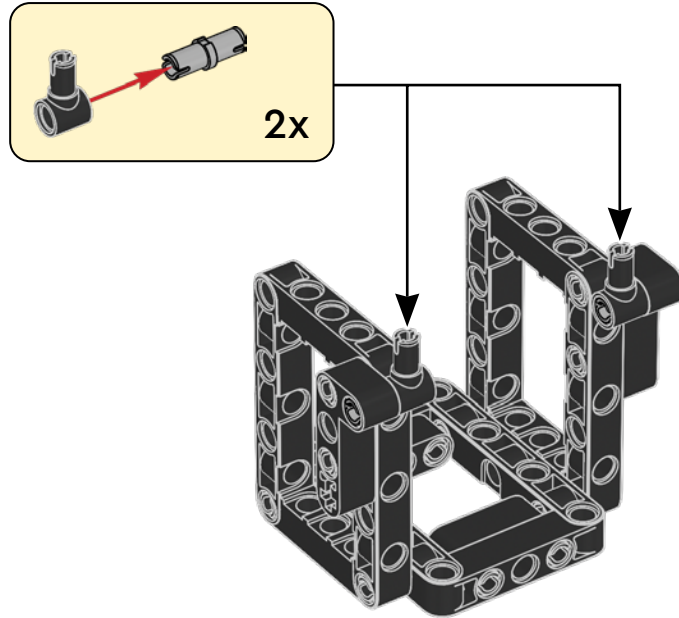
2x

41

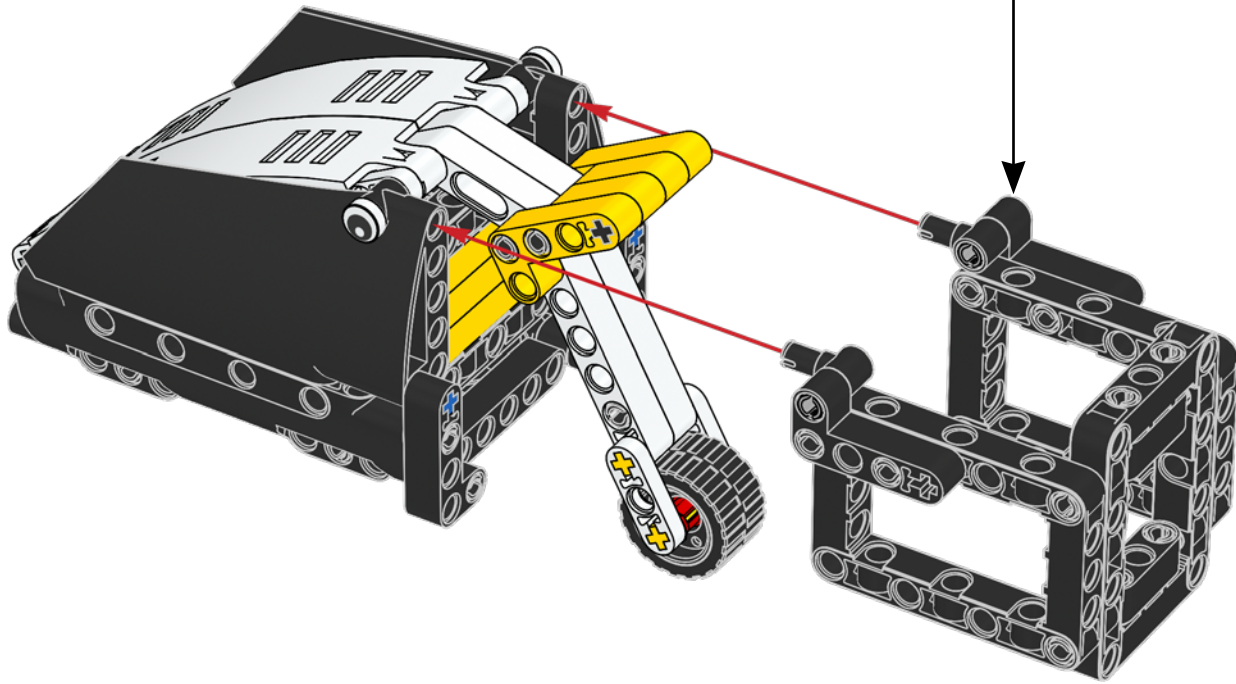


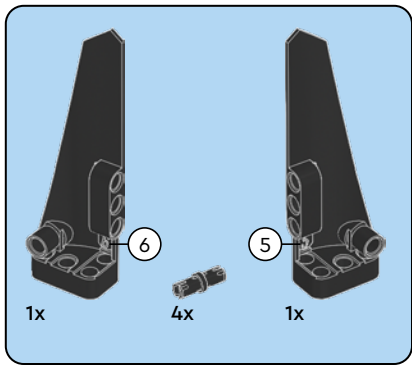


42

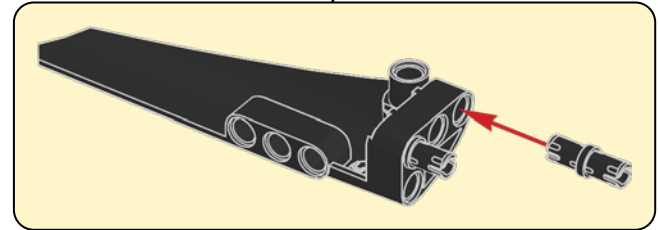
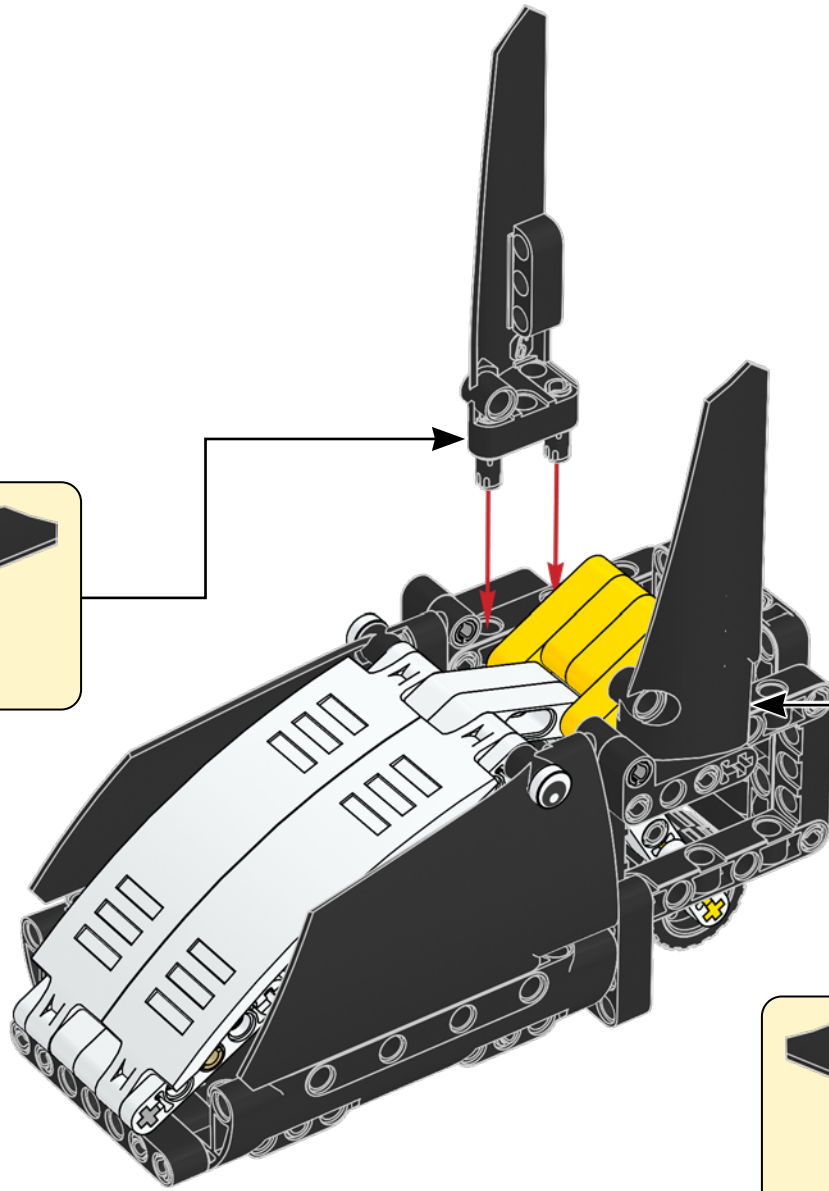
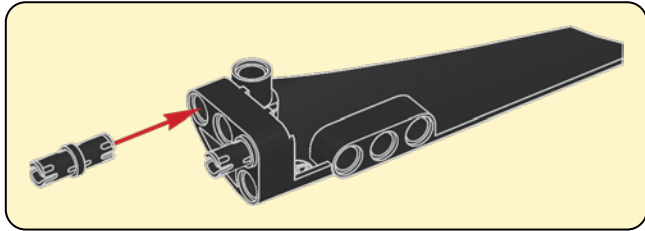


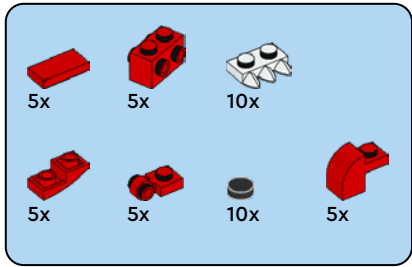
43



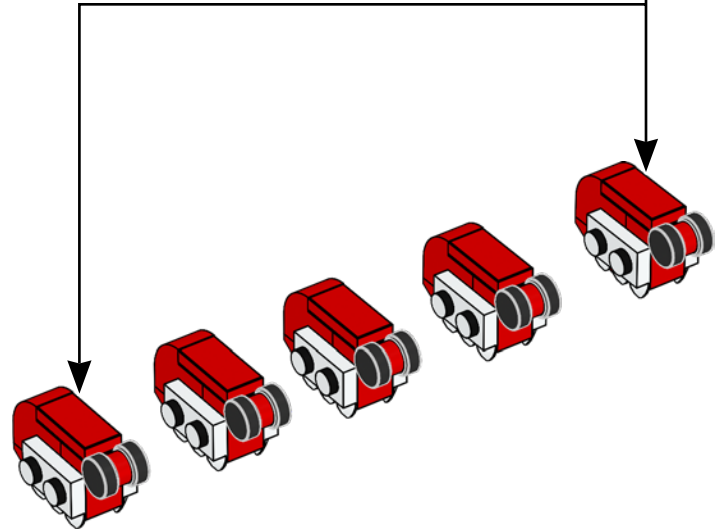
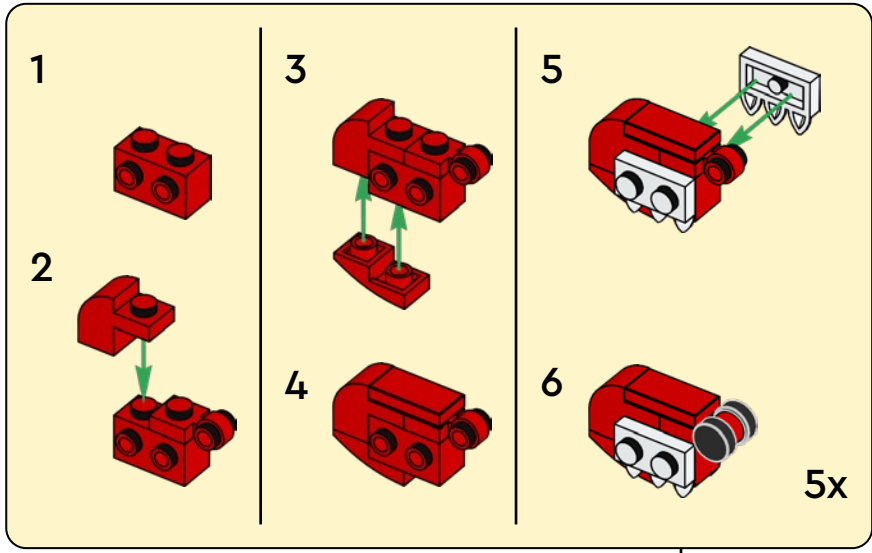


44





45



LEGO and the LEGO logo are trademarks of the/son des marques de commerce du/son marcas registradas de LEGO Group.  
 ©2024 The LEGO Group.  
 FIRST™ is a trademark of For Inspiration and Recognition of Science and Technology (FIRST). LEGO® is a trademark of the LEGO Group.  
 FIRST™ LEGO® League and SUBMERGED™ are jointly held trademarks of FIRST and the LEGO Group.  
 ©2024 FIRST and the LEGO Group. All rights reserved.