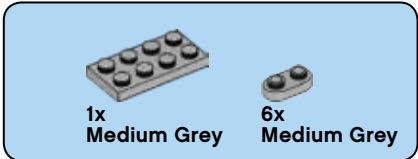
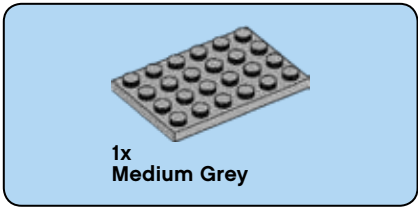


1

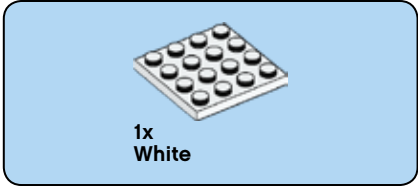


2

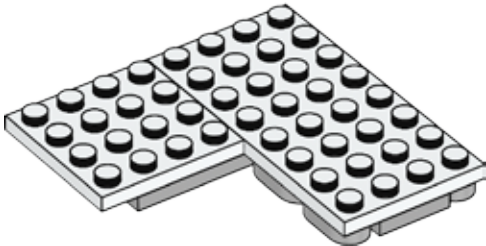




3



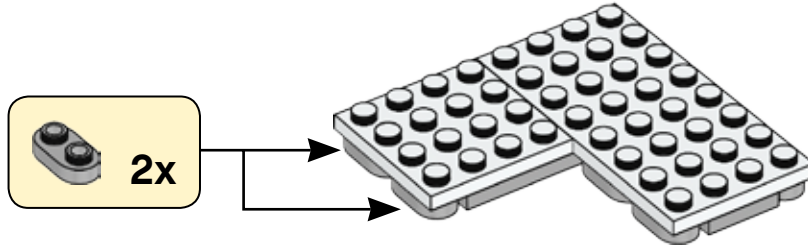
4





2x
Medium Grey

5



1x
White

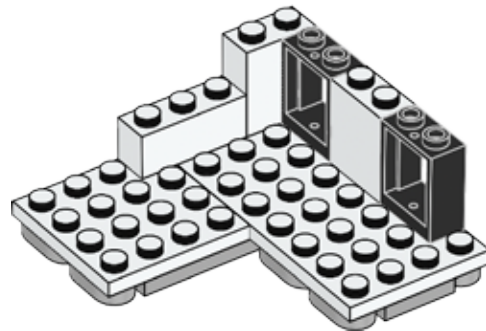


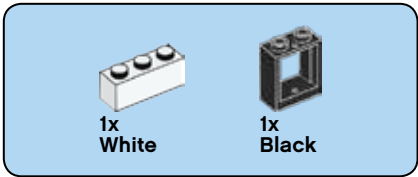
2x
White



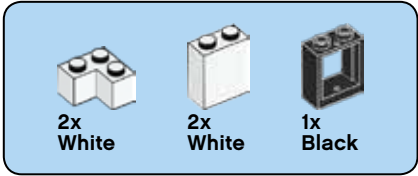
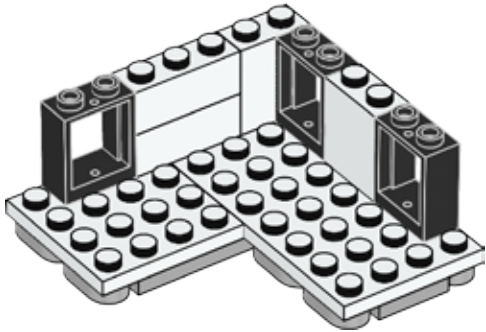
2x
Black

6

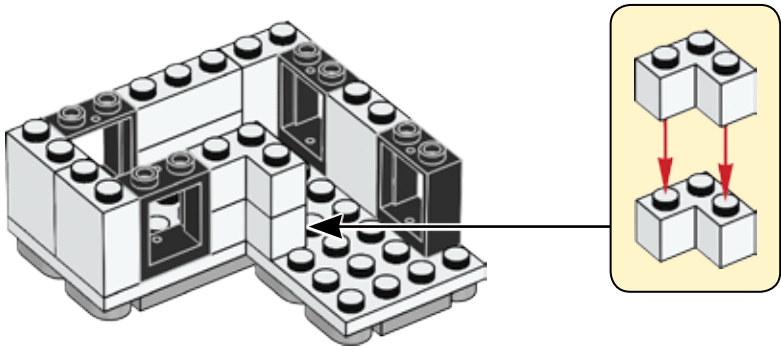


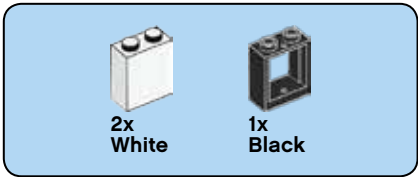


7

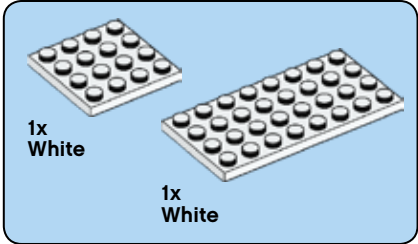
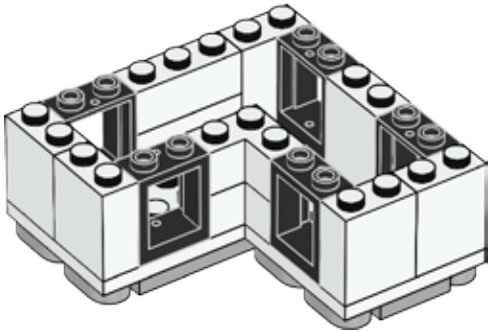


8

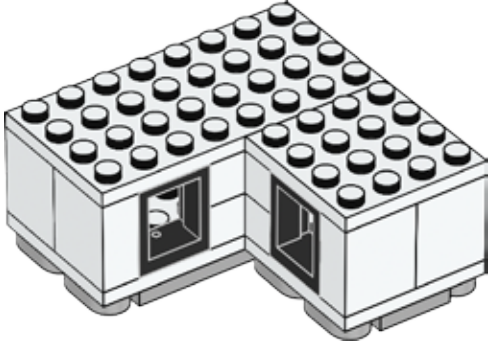


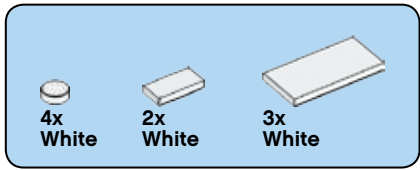


9

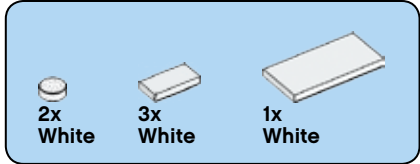
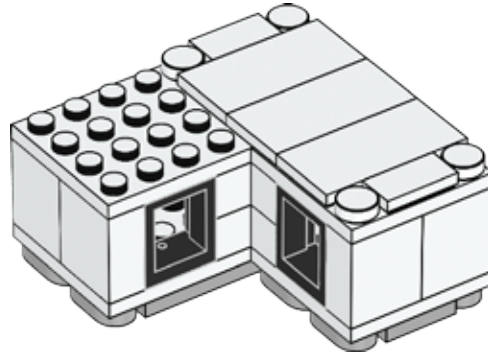


10

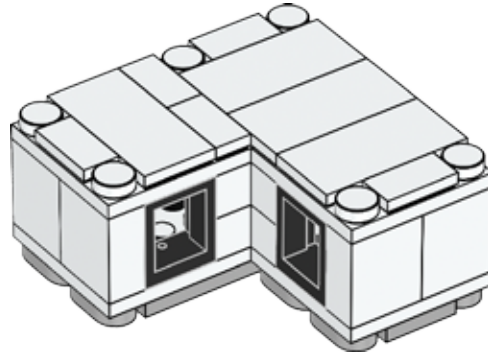




11



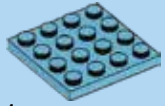
12



4x



4x



1x
Medium Azur

13



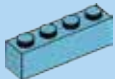
1x
Medium Grey



4x
Medium Grey

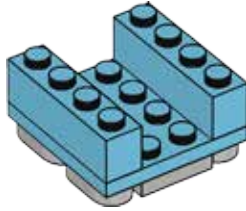
14



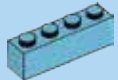


2x
Medium Azur

15

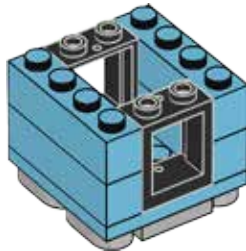


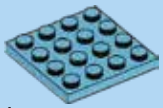
2x
Black



2x
Medium Azur

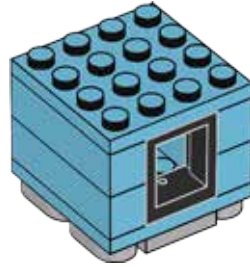
16





1x
Medium Azur

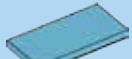
17



4x
White

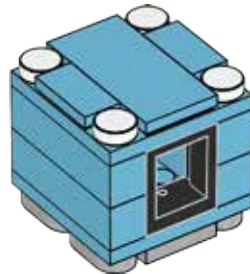


2x
Medium Azur

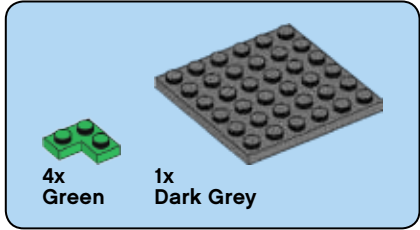


1x
Medium Azur

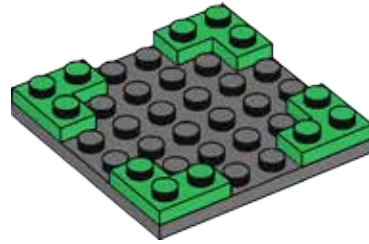
18



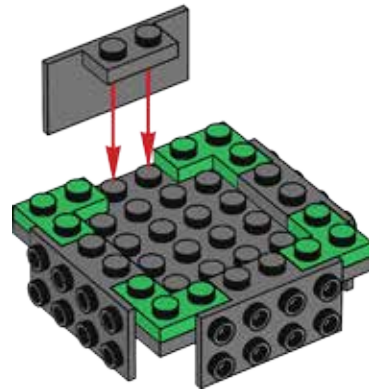
4x

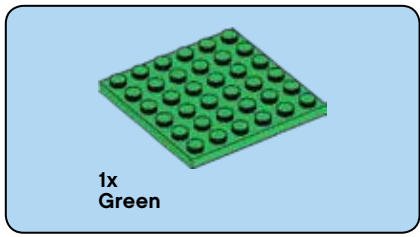


19

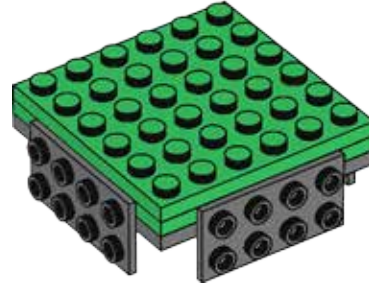


20

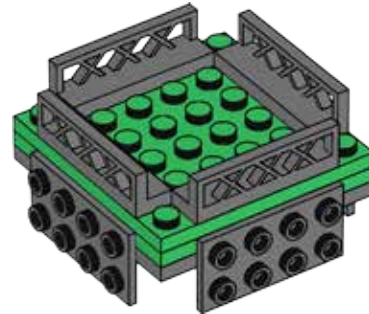




21



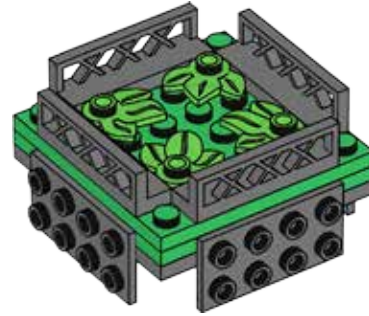
22





4x
Bright Green

23

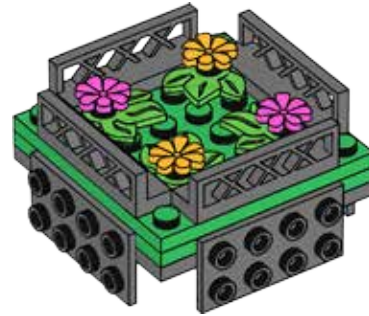


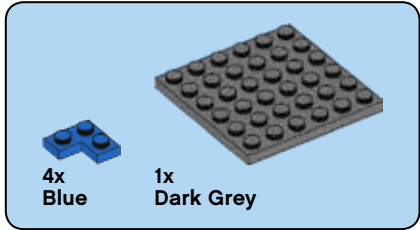
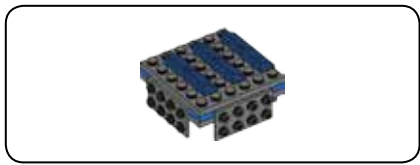
2x
Bright Purple



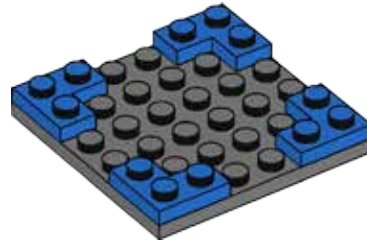
2x
Bright Orange

24

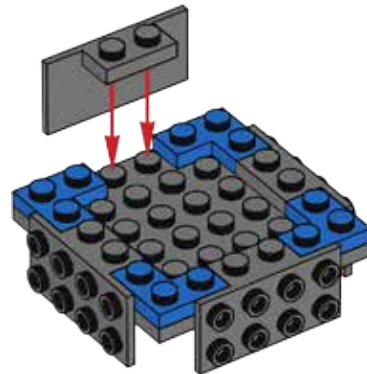




25

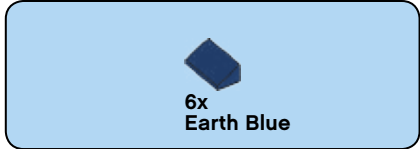
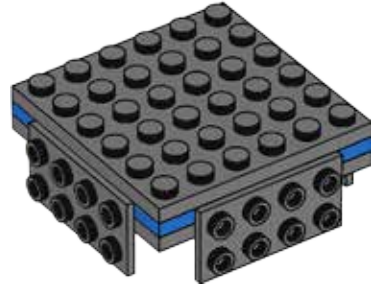


26

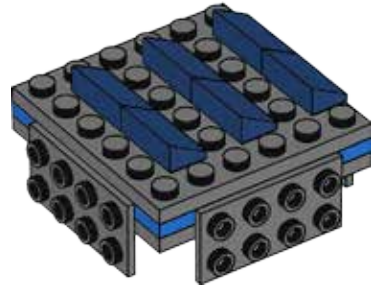


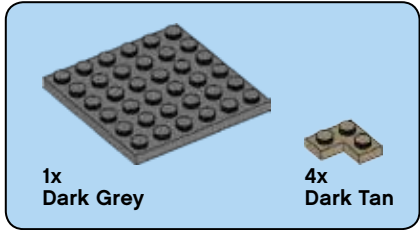
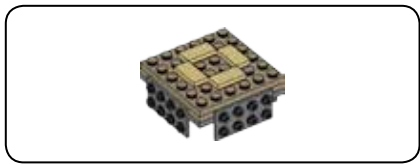


27

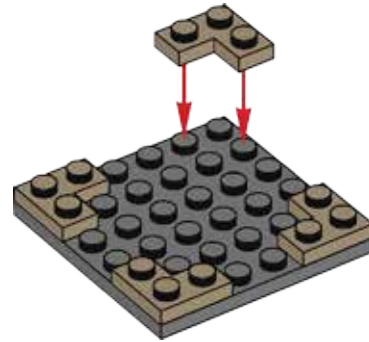


28

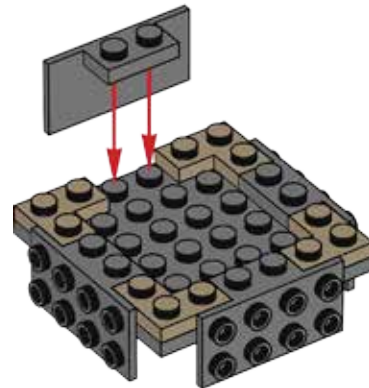




29

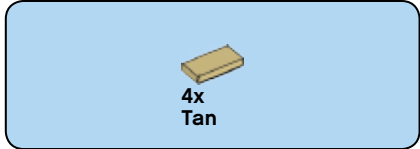
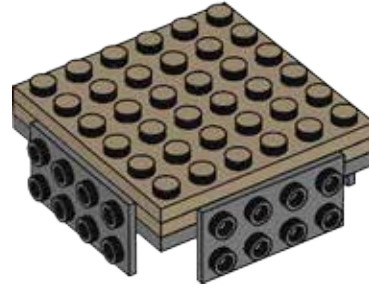


30

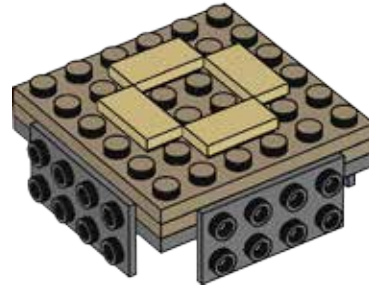




31



32



BAG 7

LEGO and the LEGO logo are trademarks of the/son des marques de commerce de/son marcas registradas de LEGO Group. ©2019 The LEGO Group.

The *FIRST*® logo is a registered trademark of the/Le *FIRST*® logo est une marquee depose de/El logotipo de *FIRST*® es una marca comercial registrada U.S. Foundation For Inspiration and Recognition of Science and Technology.