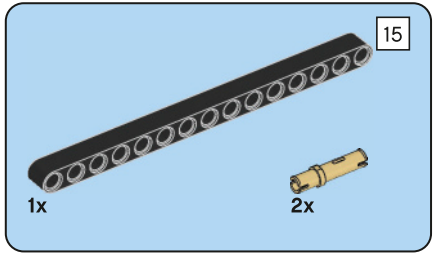
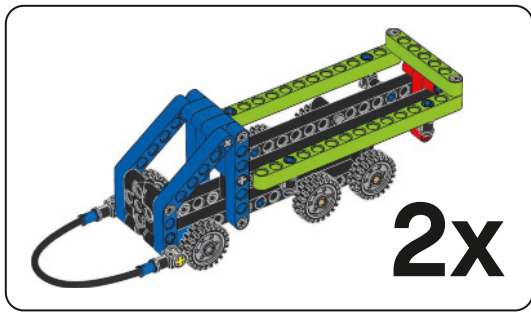
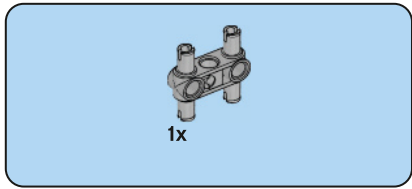


45816

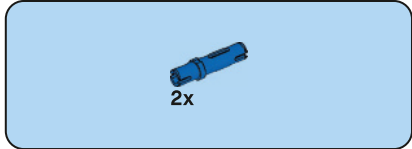


1

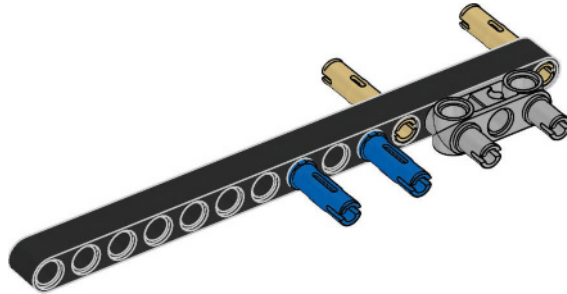


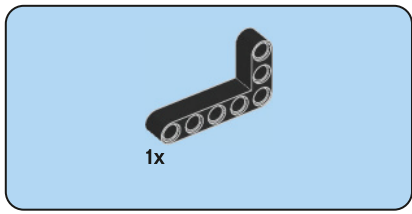


2

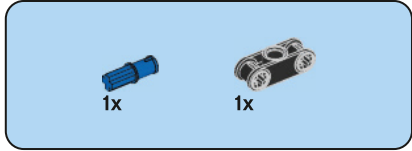
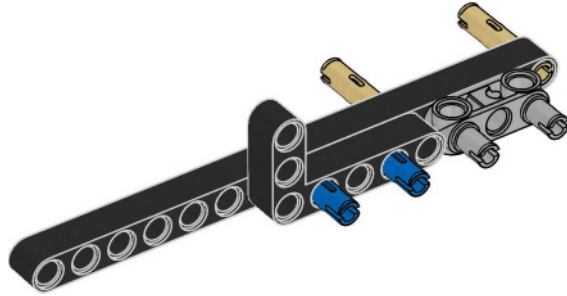


3

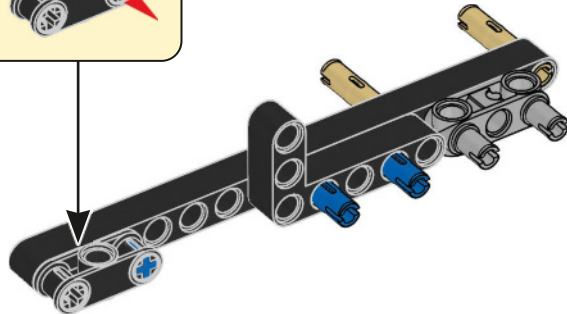
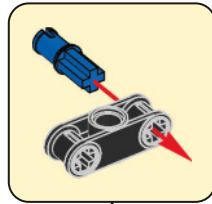


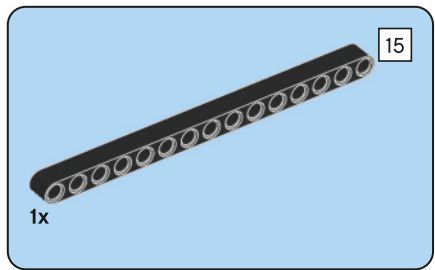


4

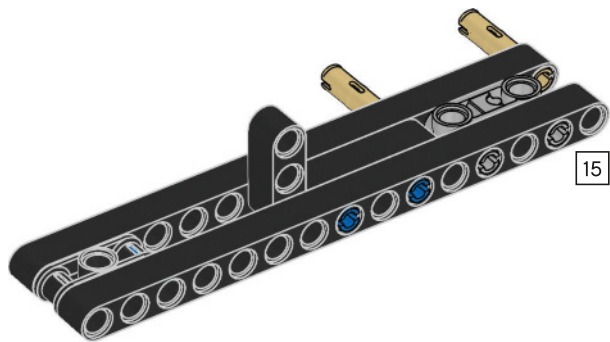


5

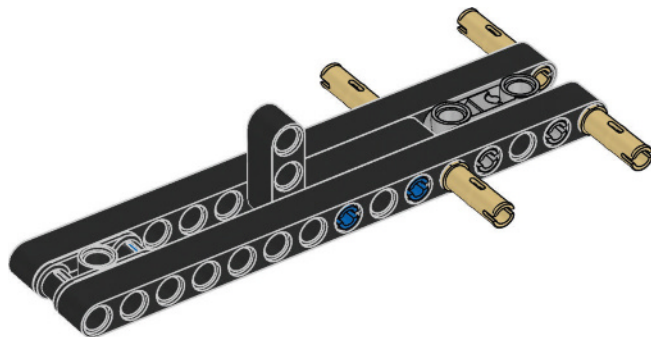


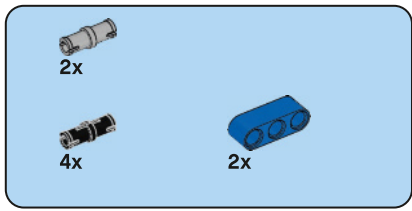


6

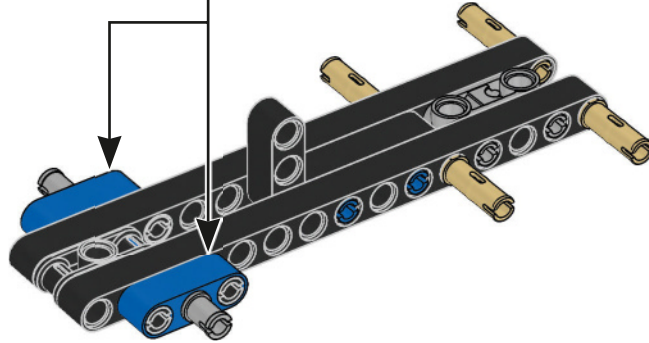
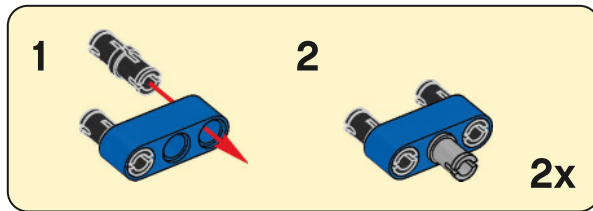


7

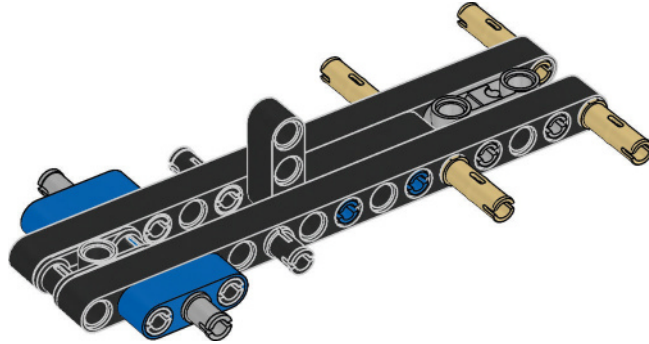


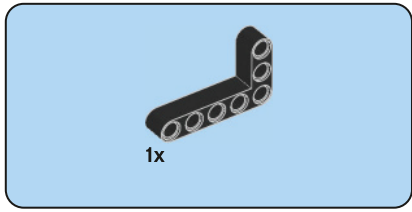


8

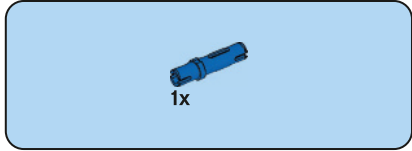
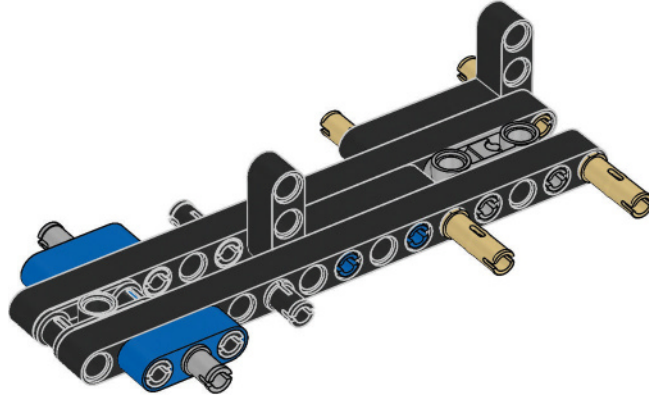


9

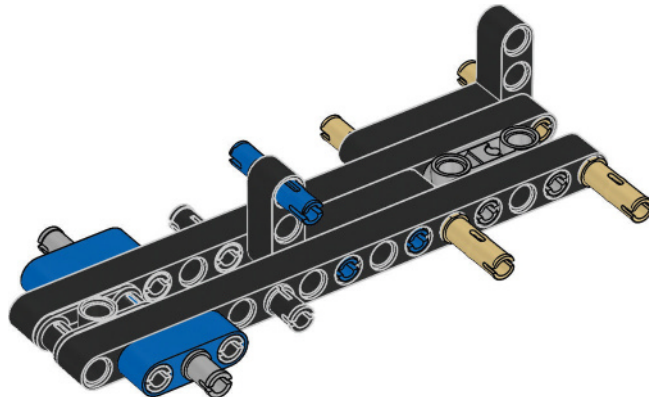


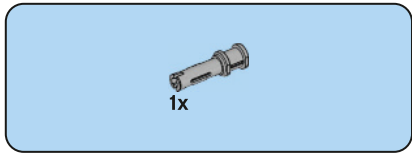


10

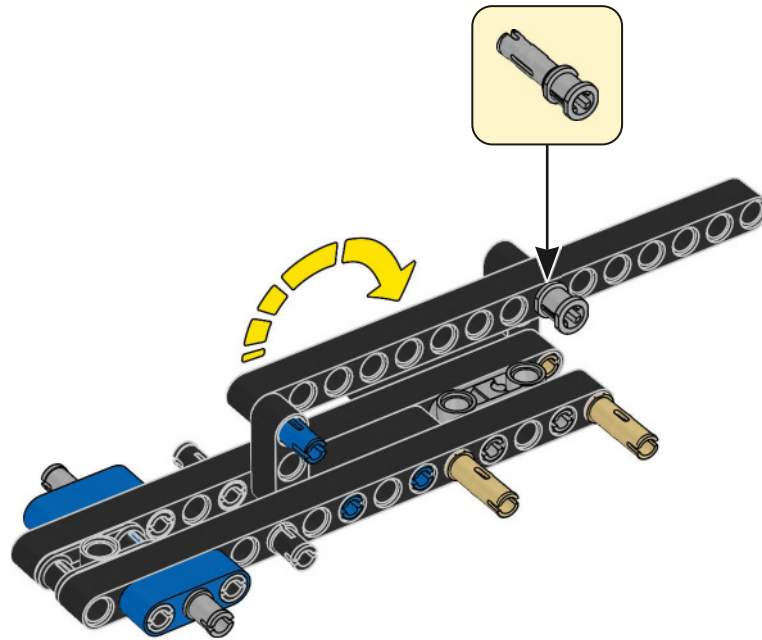


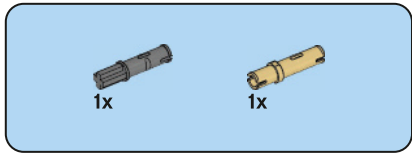
11



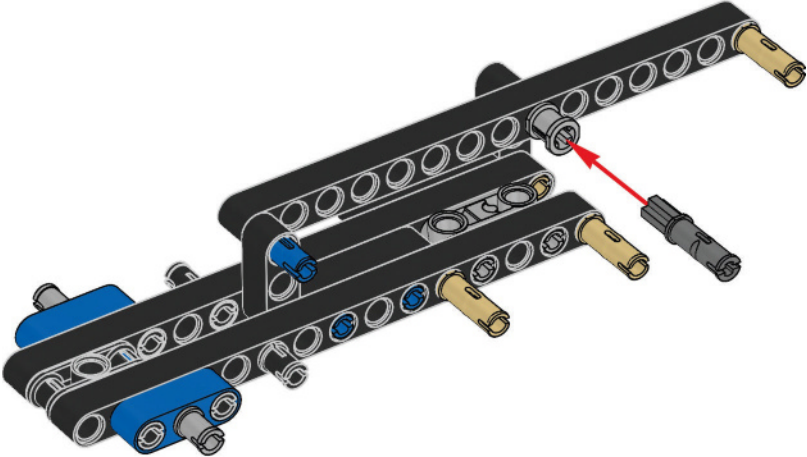


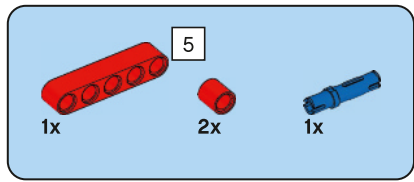
13



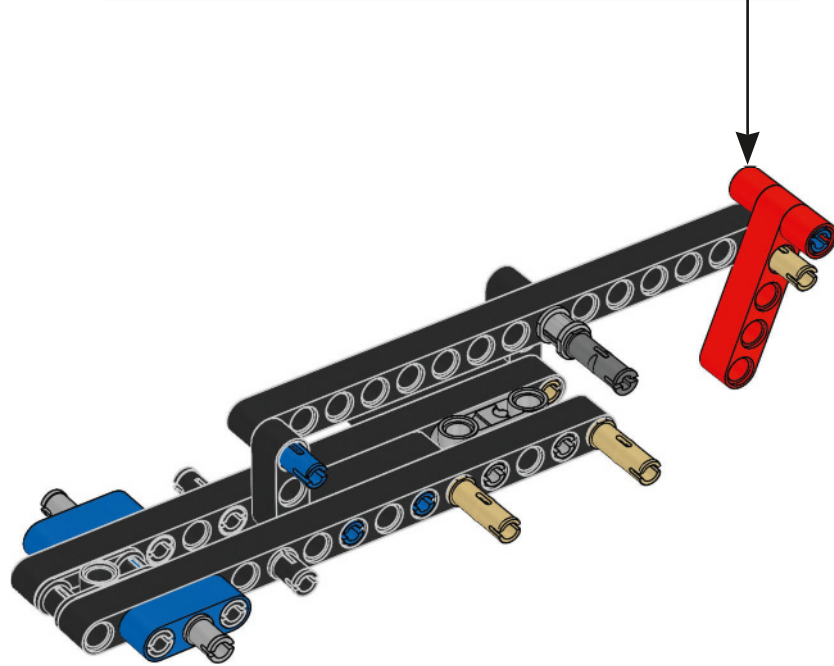
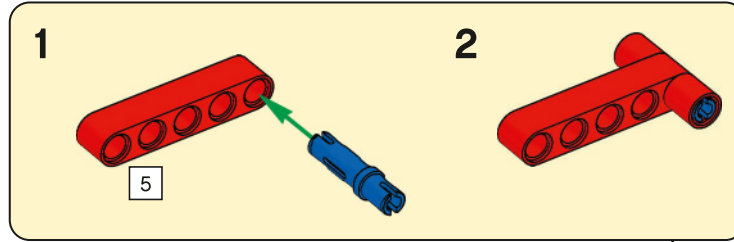


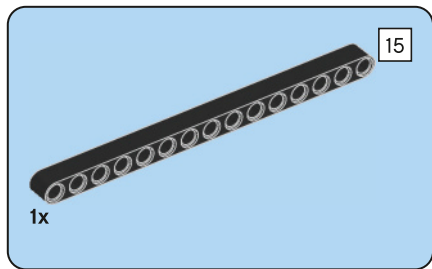
14



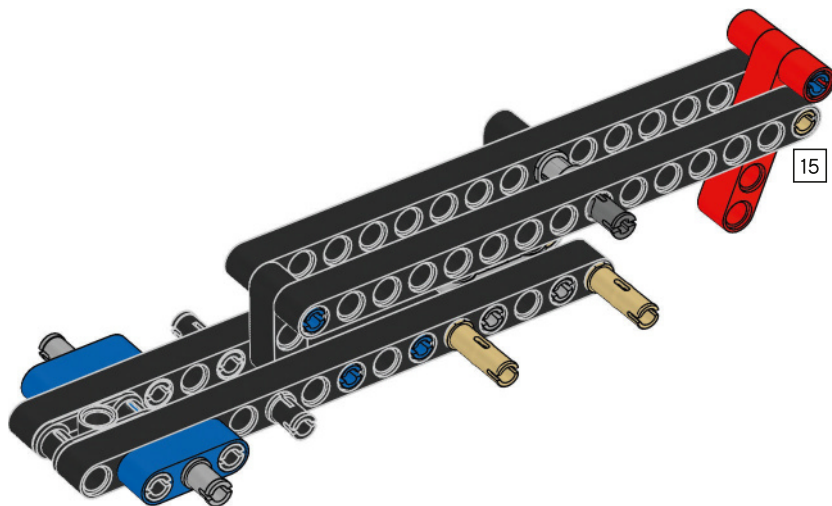


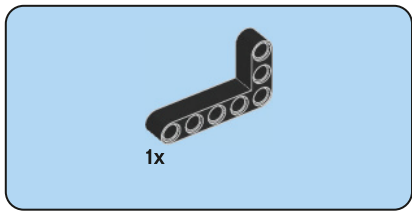
15



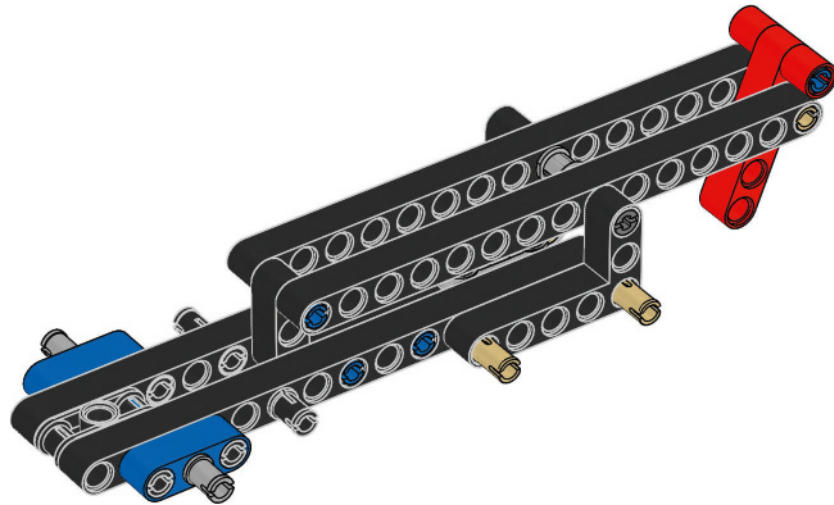


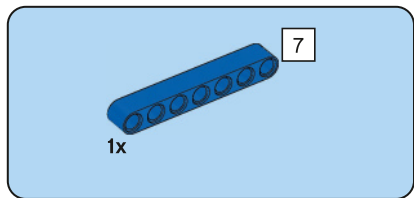
16



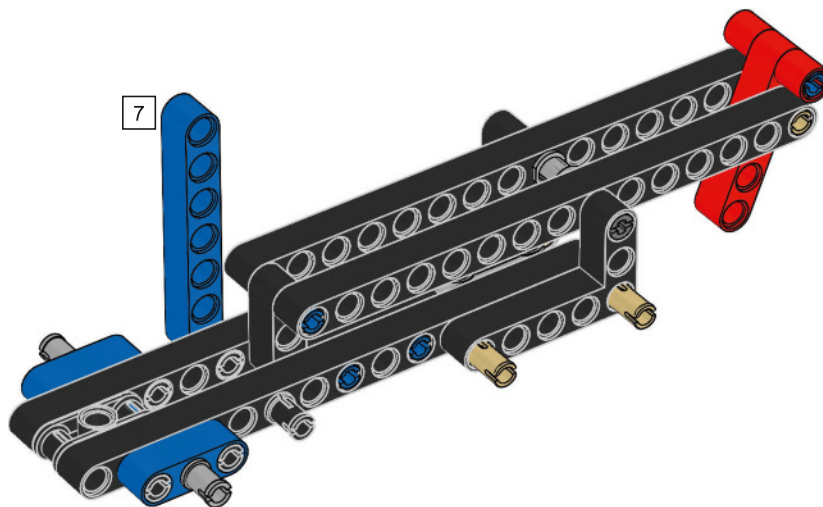


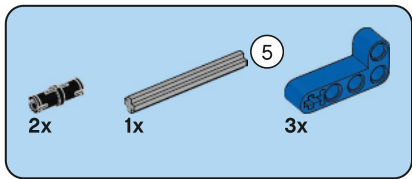
17



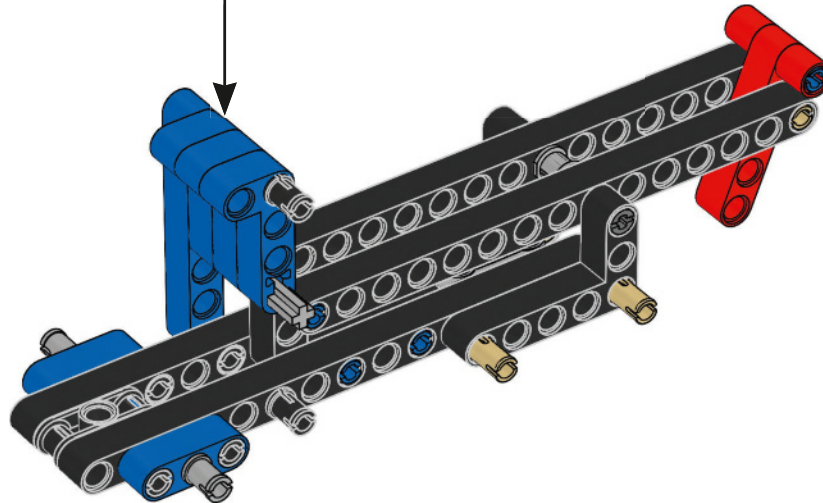
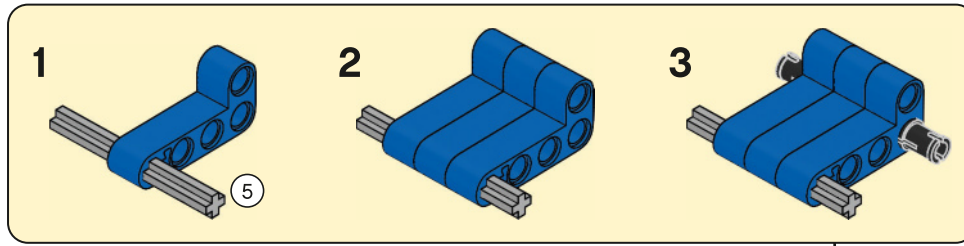


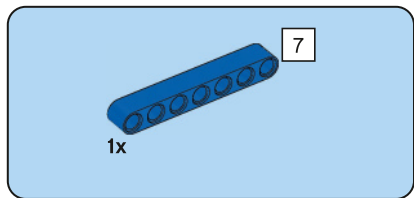
18



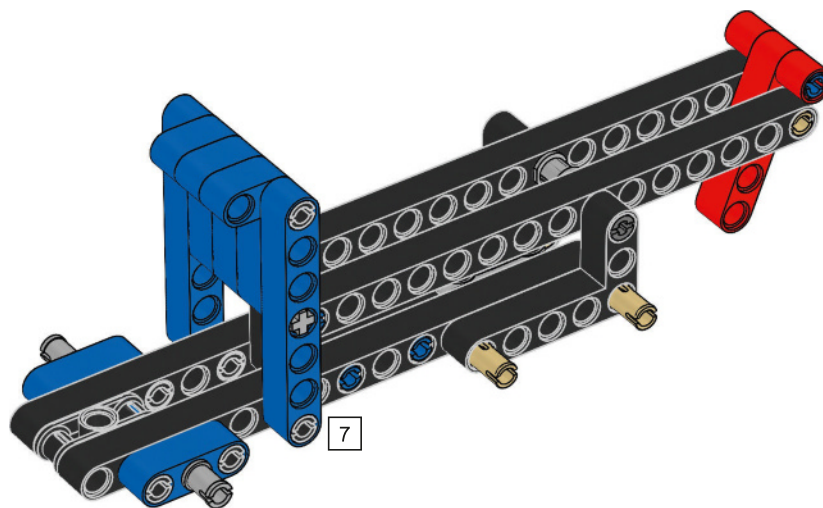


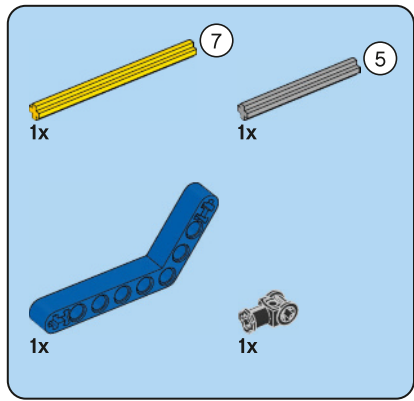
19



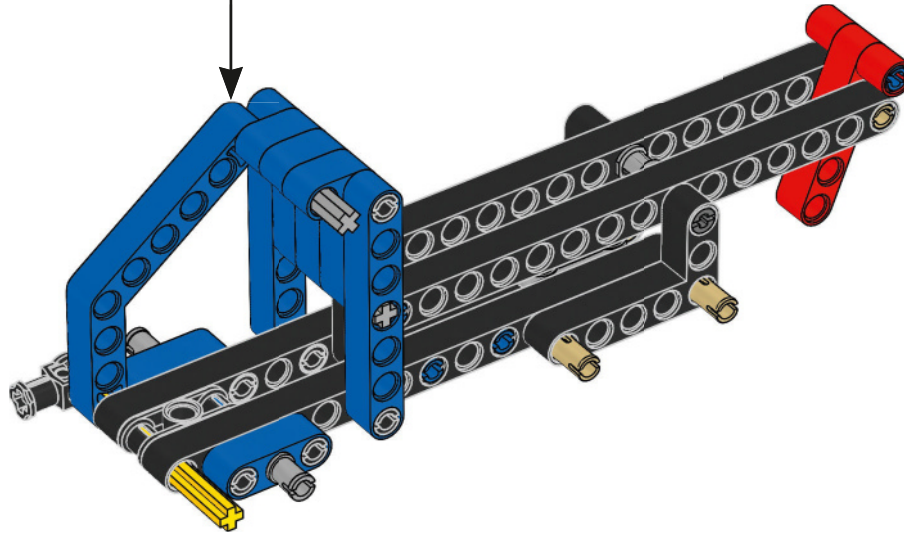
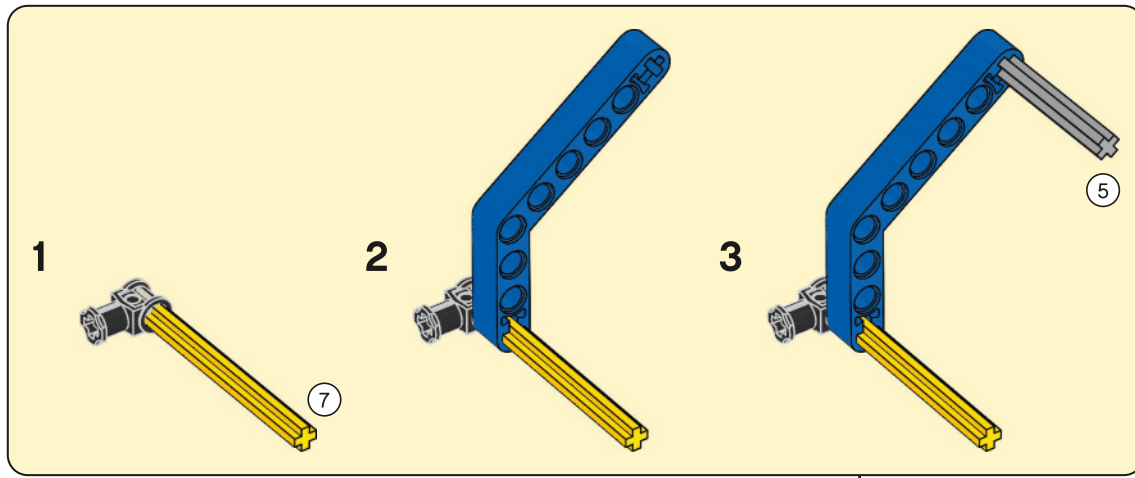


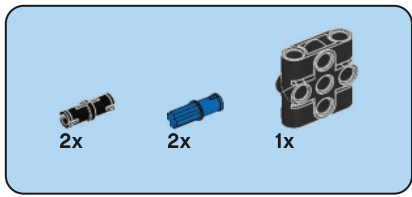
20



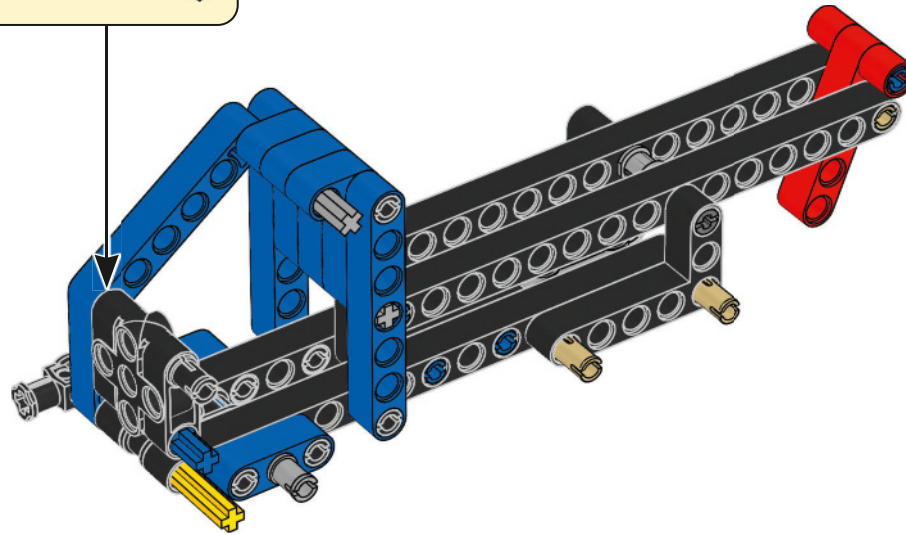
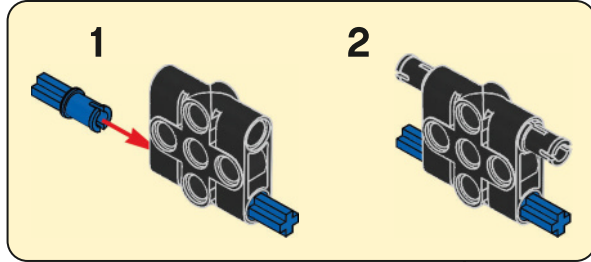


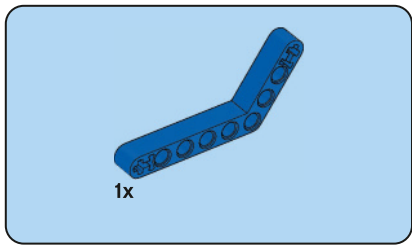
21



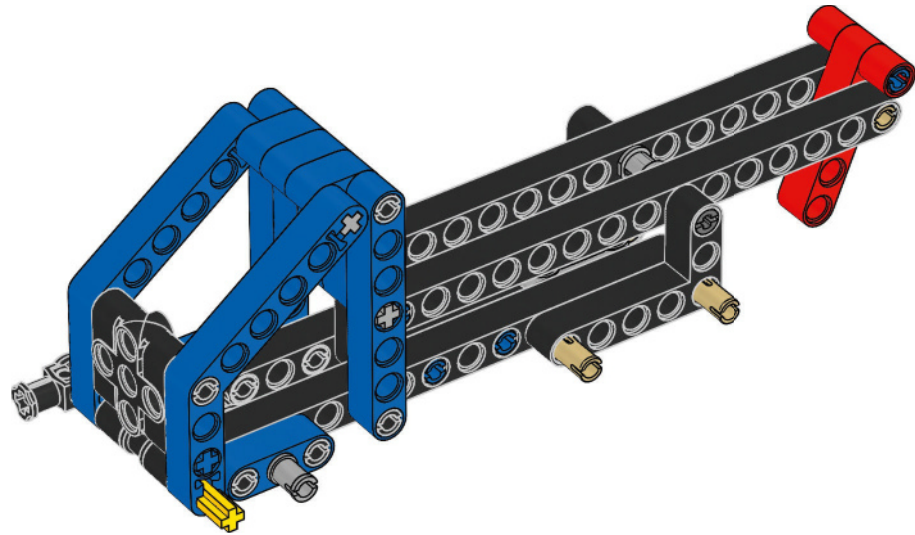


22





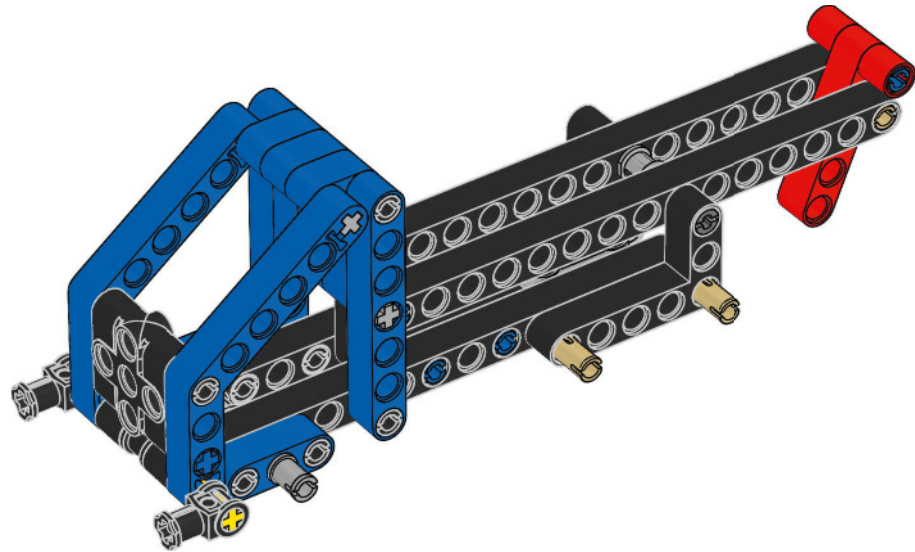
23

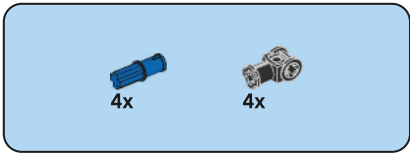




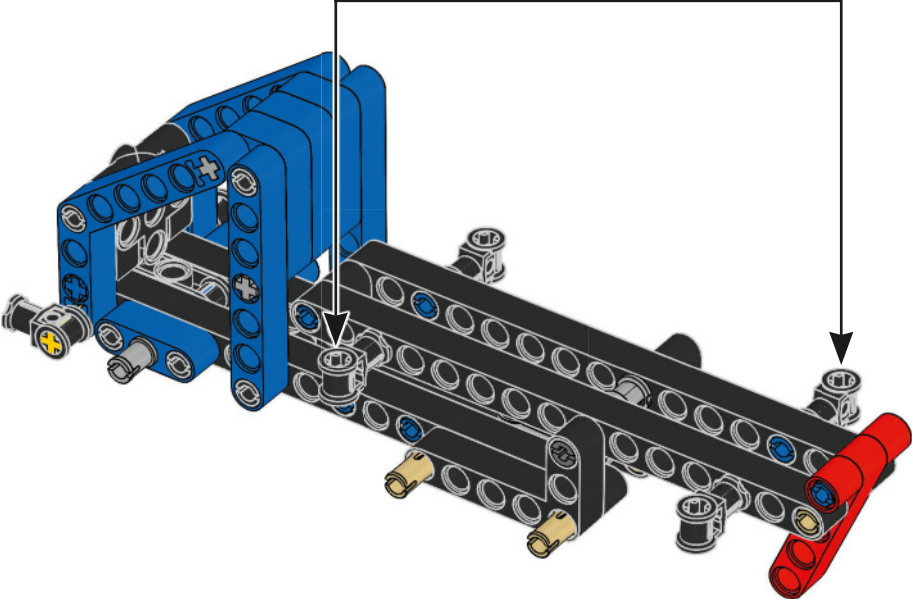
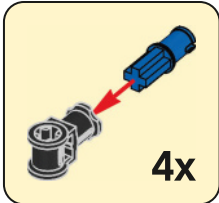
1x

24





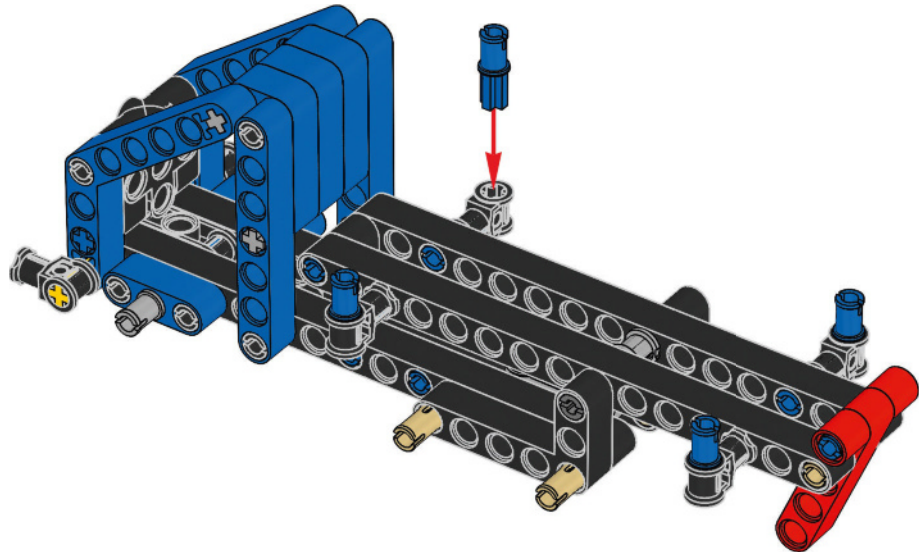
25

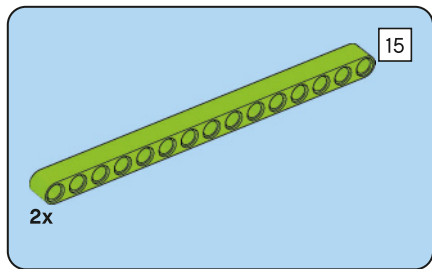




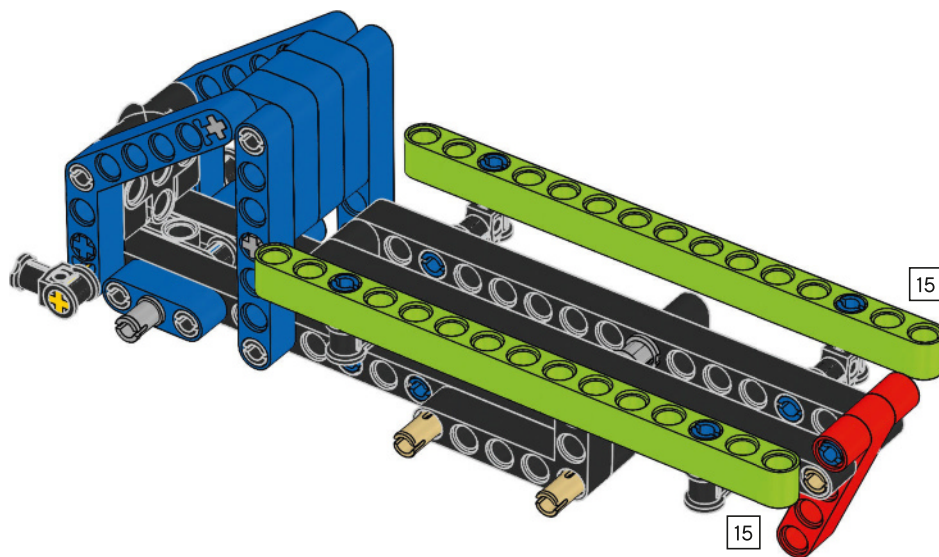
4x

26





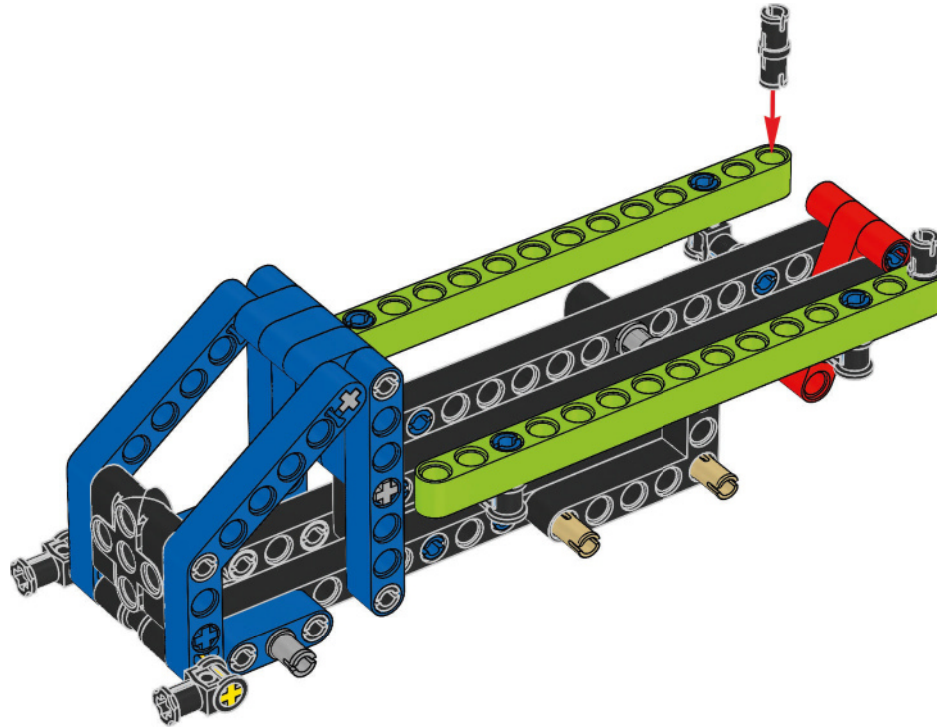
27

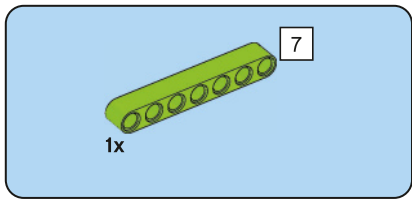




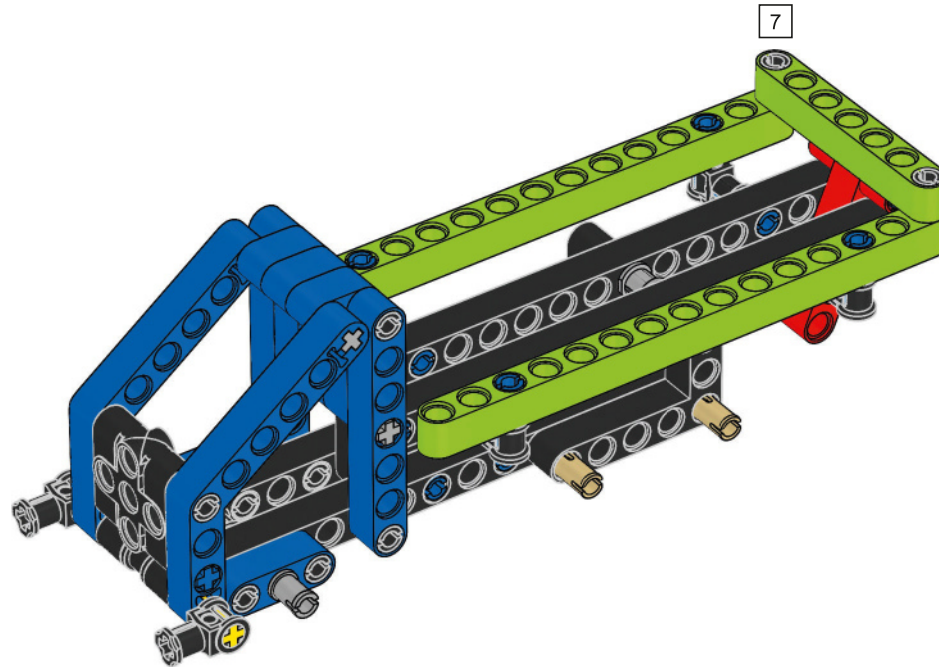
2x

28





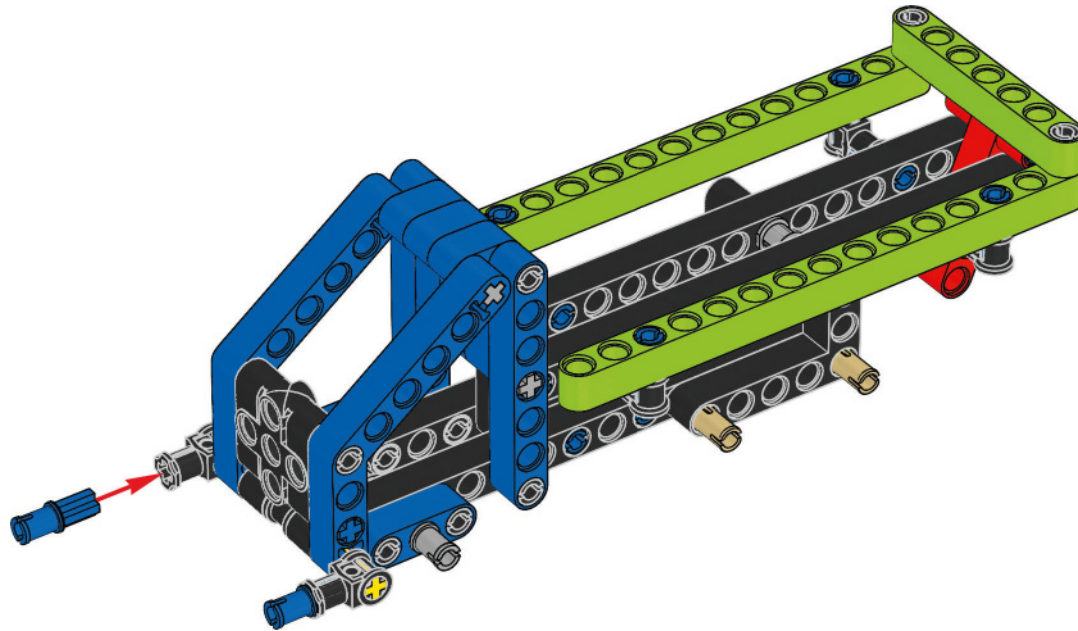
29

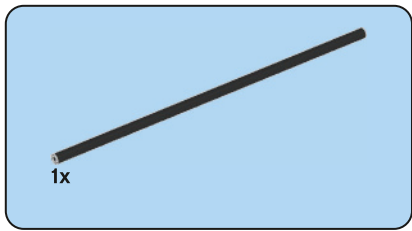




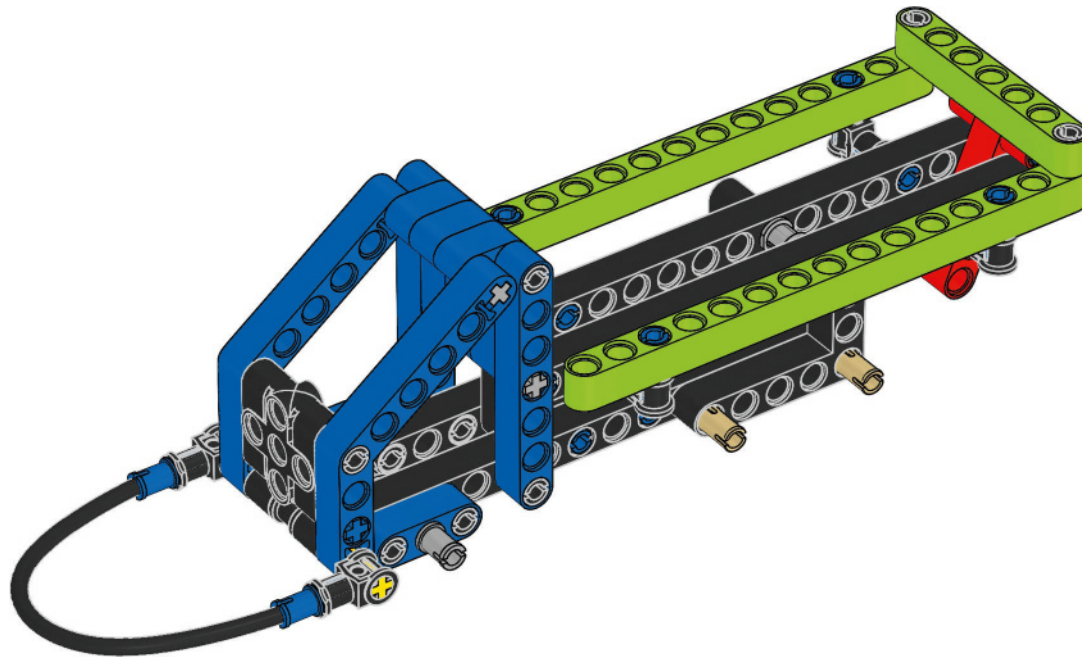
2x

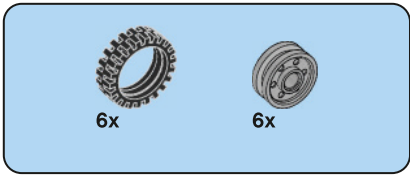
30



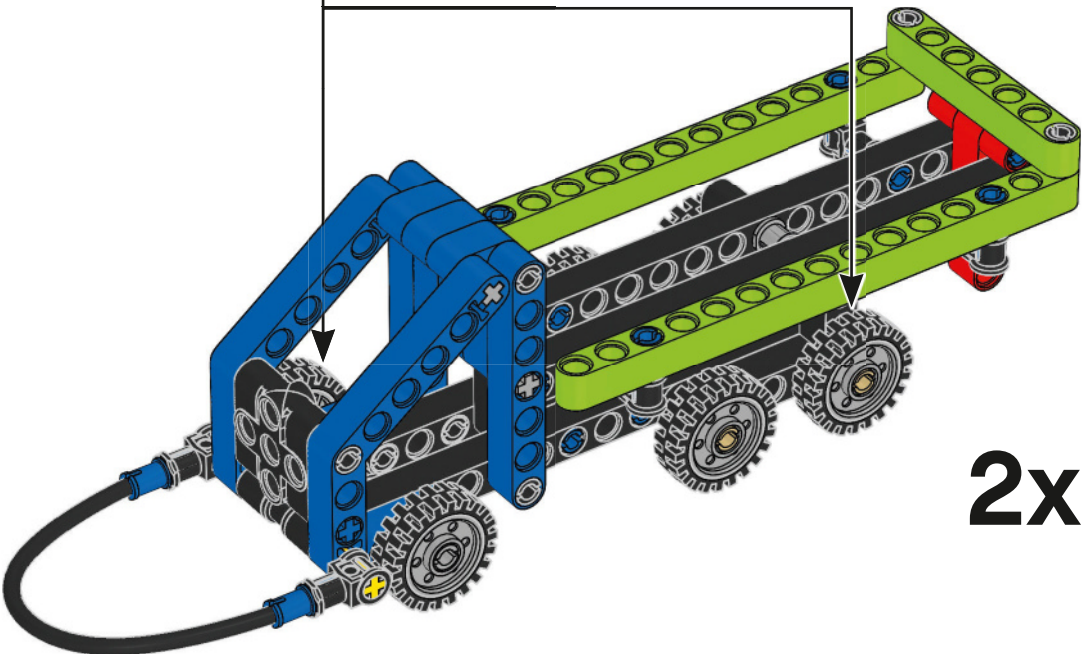
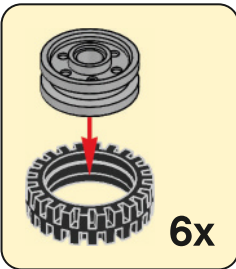


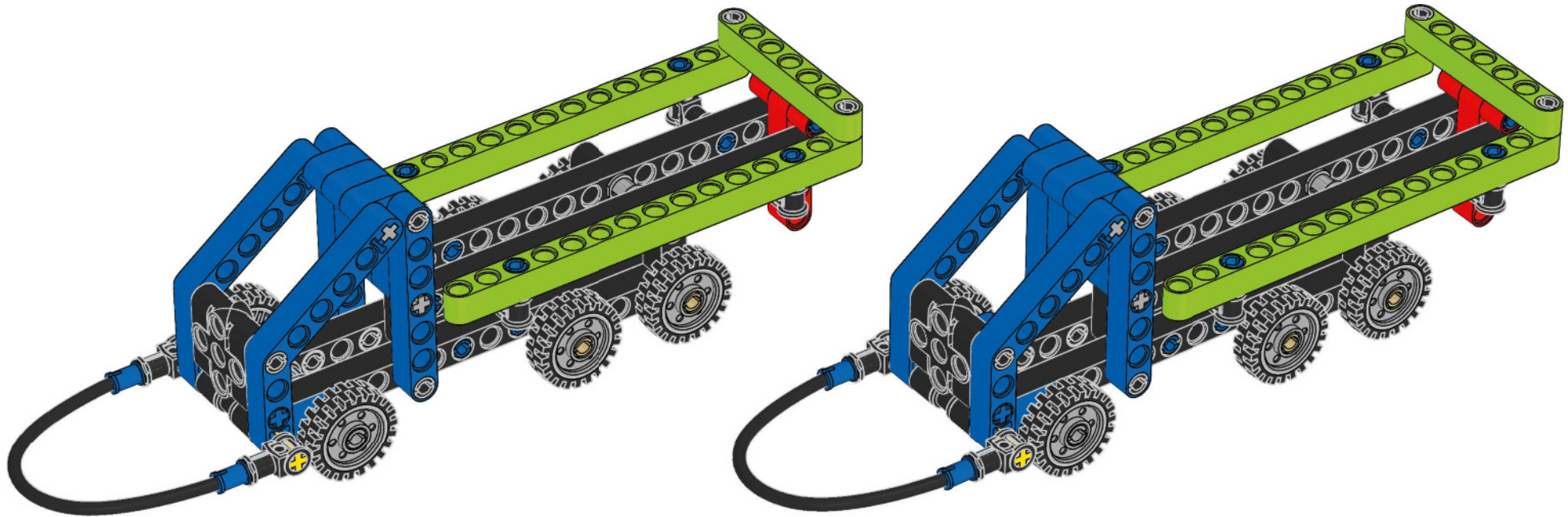
31





32





LEGO and the LEGO logo are trademarks of the/son des marques de commerce du/son marcas registradas de LEGO Group. ©2021 The LEGO Group. All rights reserved/Tous droits réservés/Todos los derechos reservados.

FIRST® is a registered trademark of For Inspiration and Recognition of Science and Technology (FIRST). LEGO® is a registered trademark of the LEGO Group. FIRST® LEGO® League and CARGO CONNECT™ are jointly held trademarks of FIRST and the LEGO Group.

©2021 FIRST and the LEGO Group. All rights reserved.