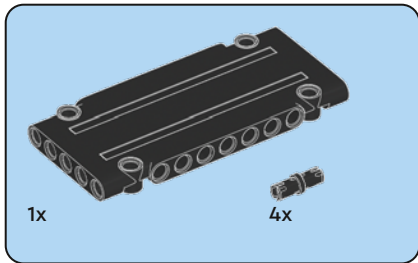
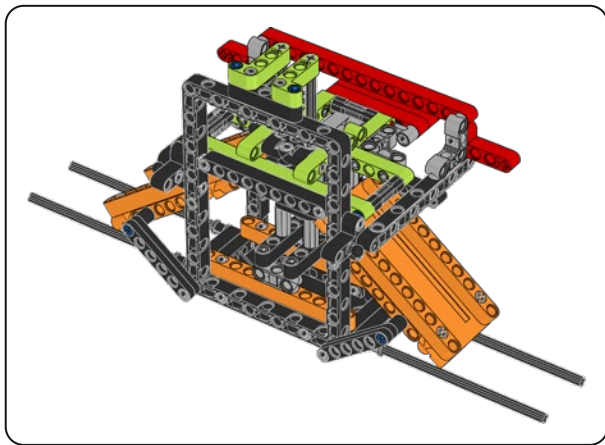
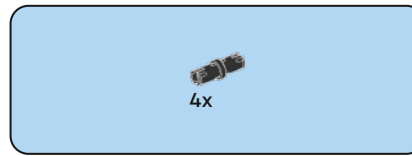
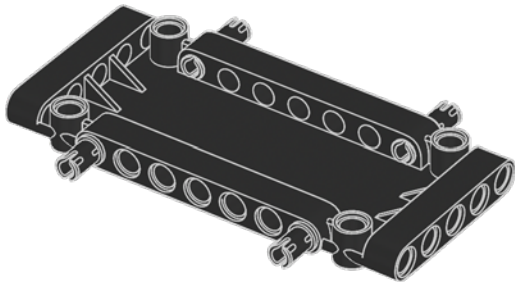


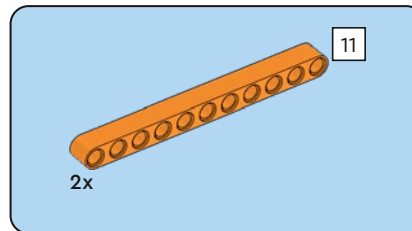
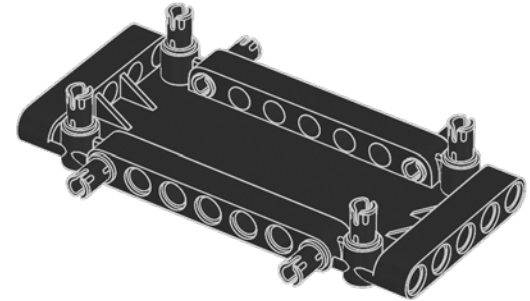
45820



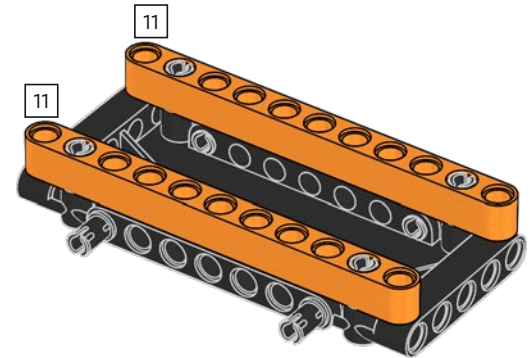
1

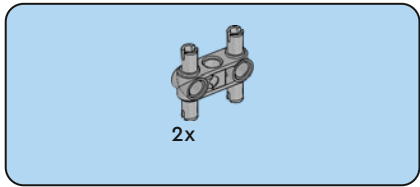


2

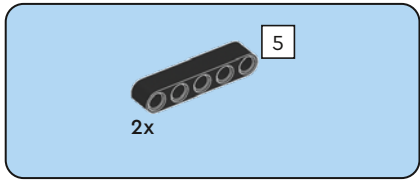
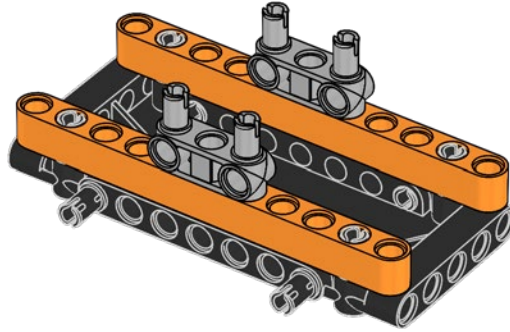


3

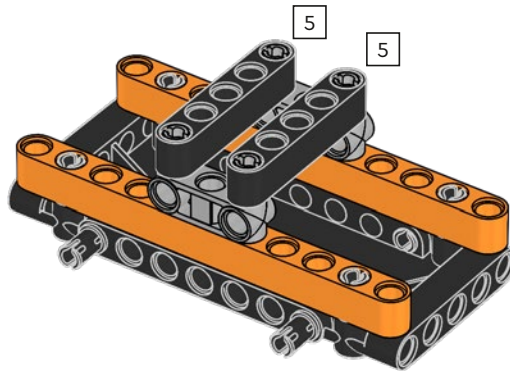


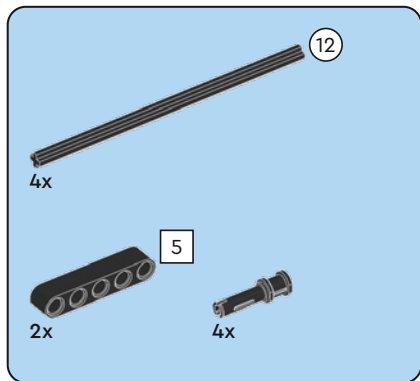


4

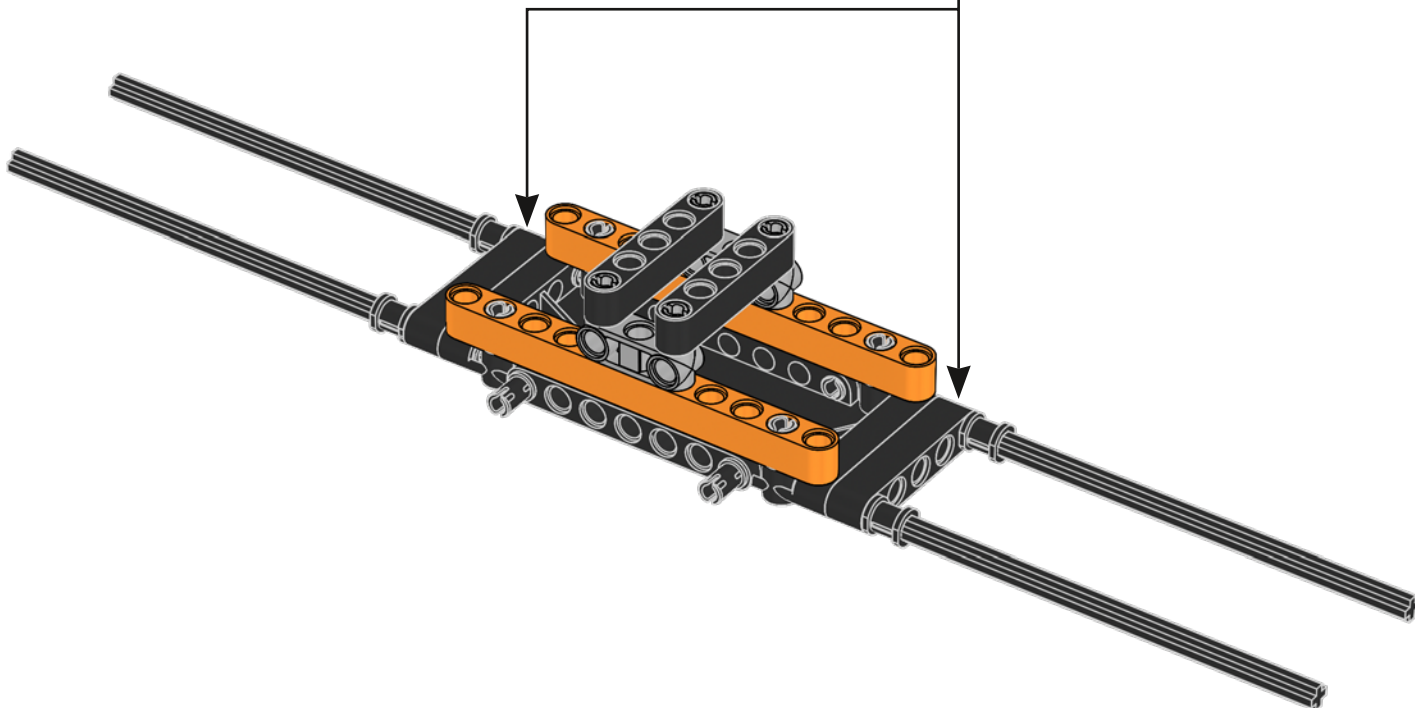
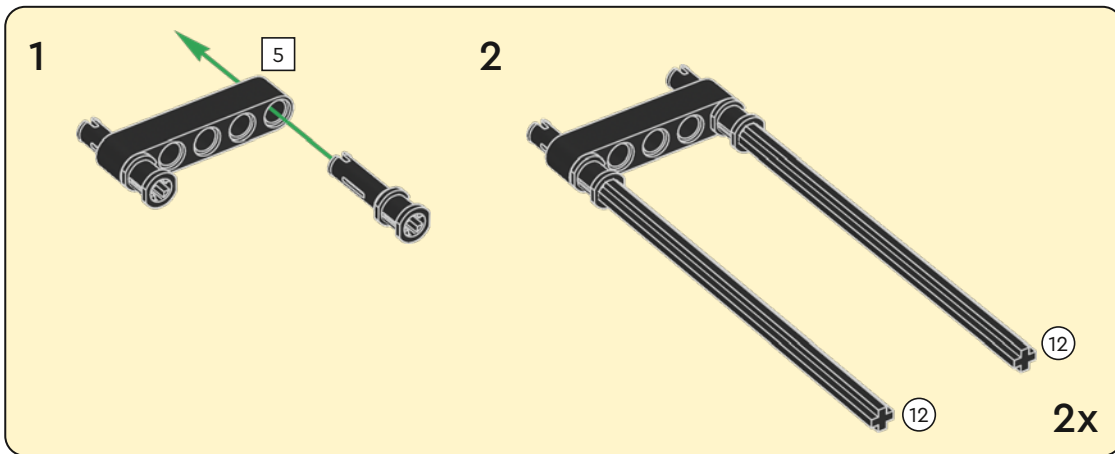


5

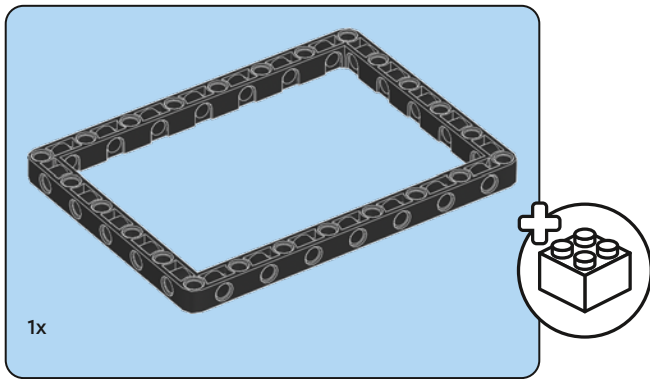




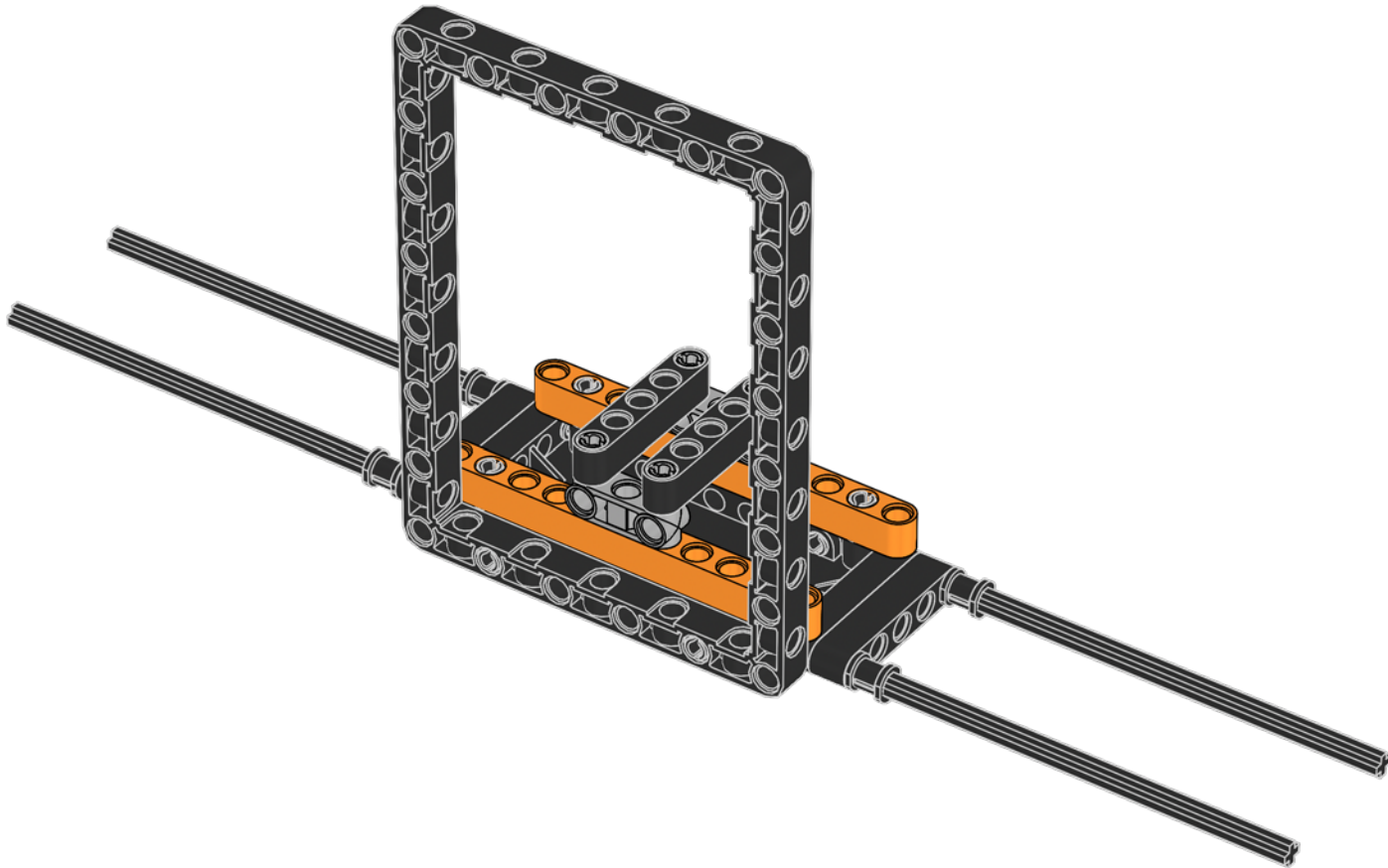
6

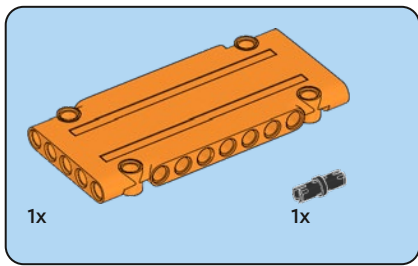




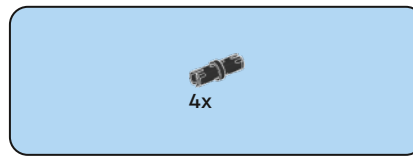
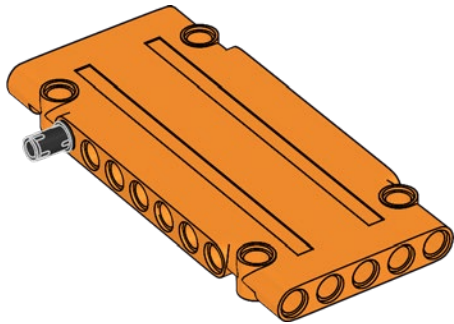


7

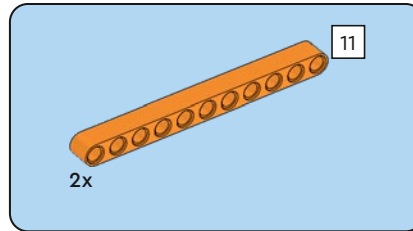
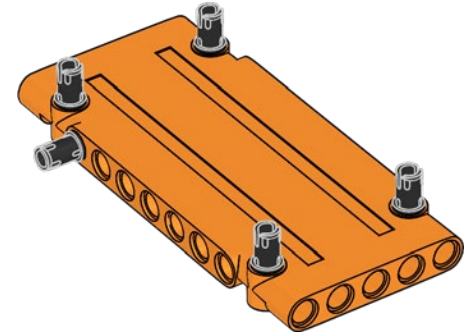




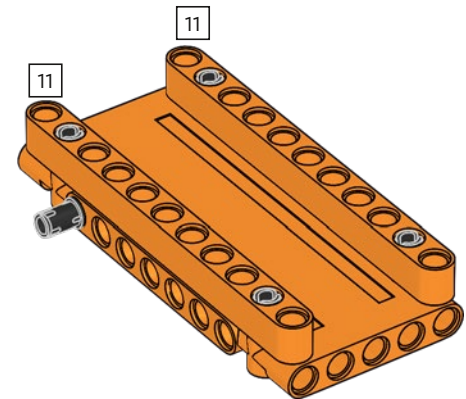
8



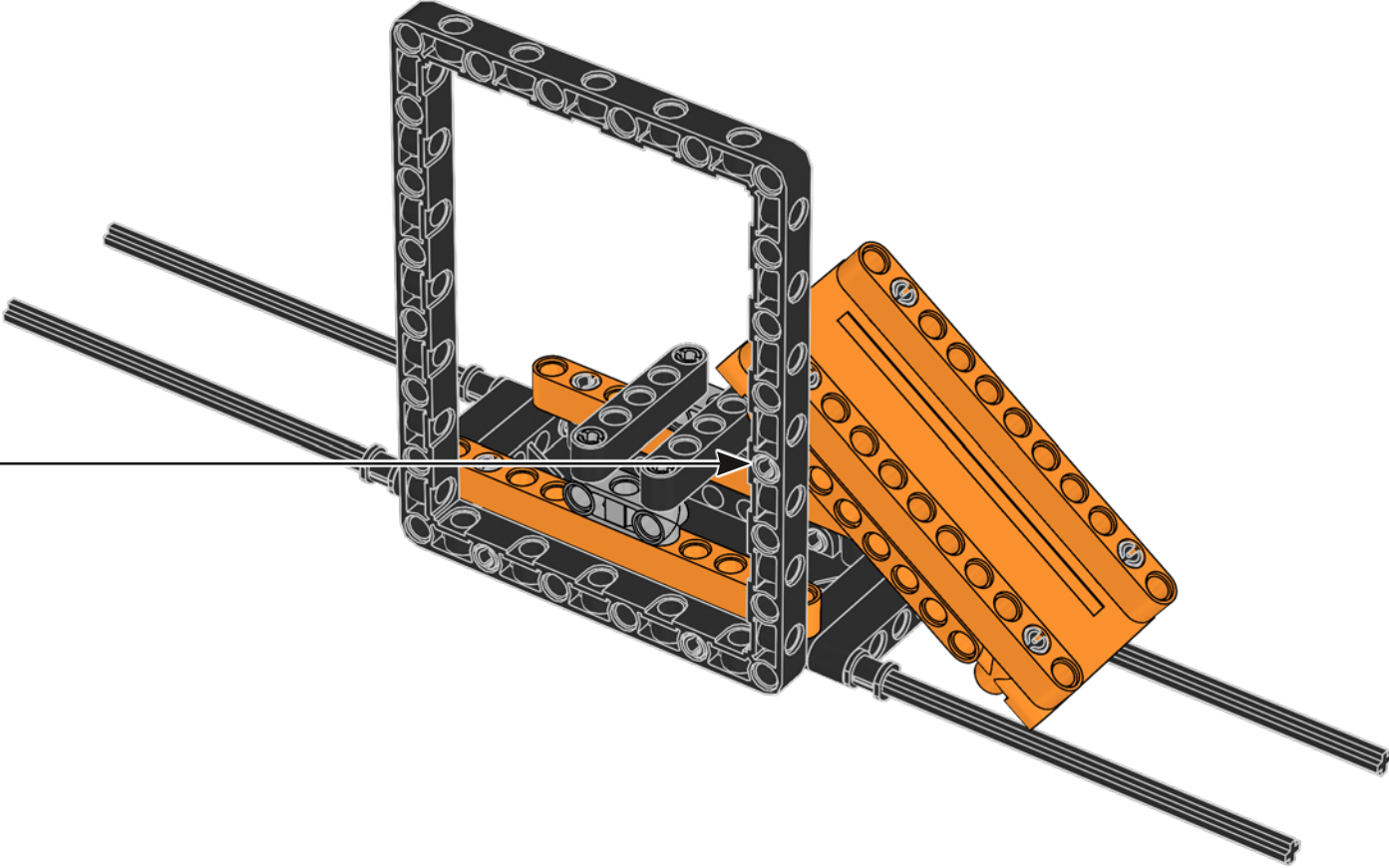
9

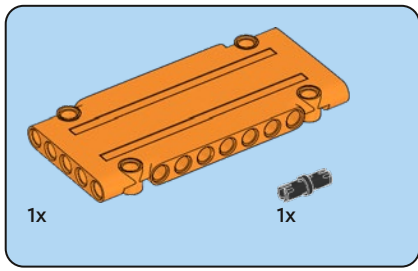


10

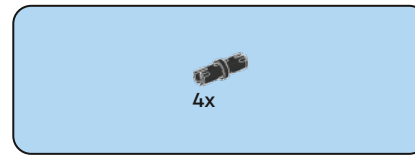
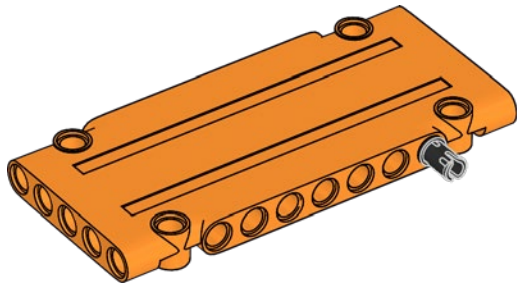


11

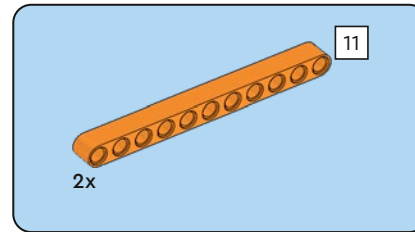
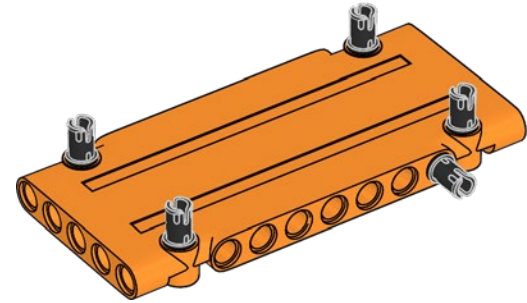




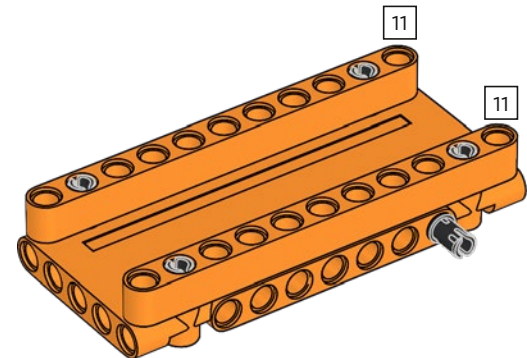
12



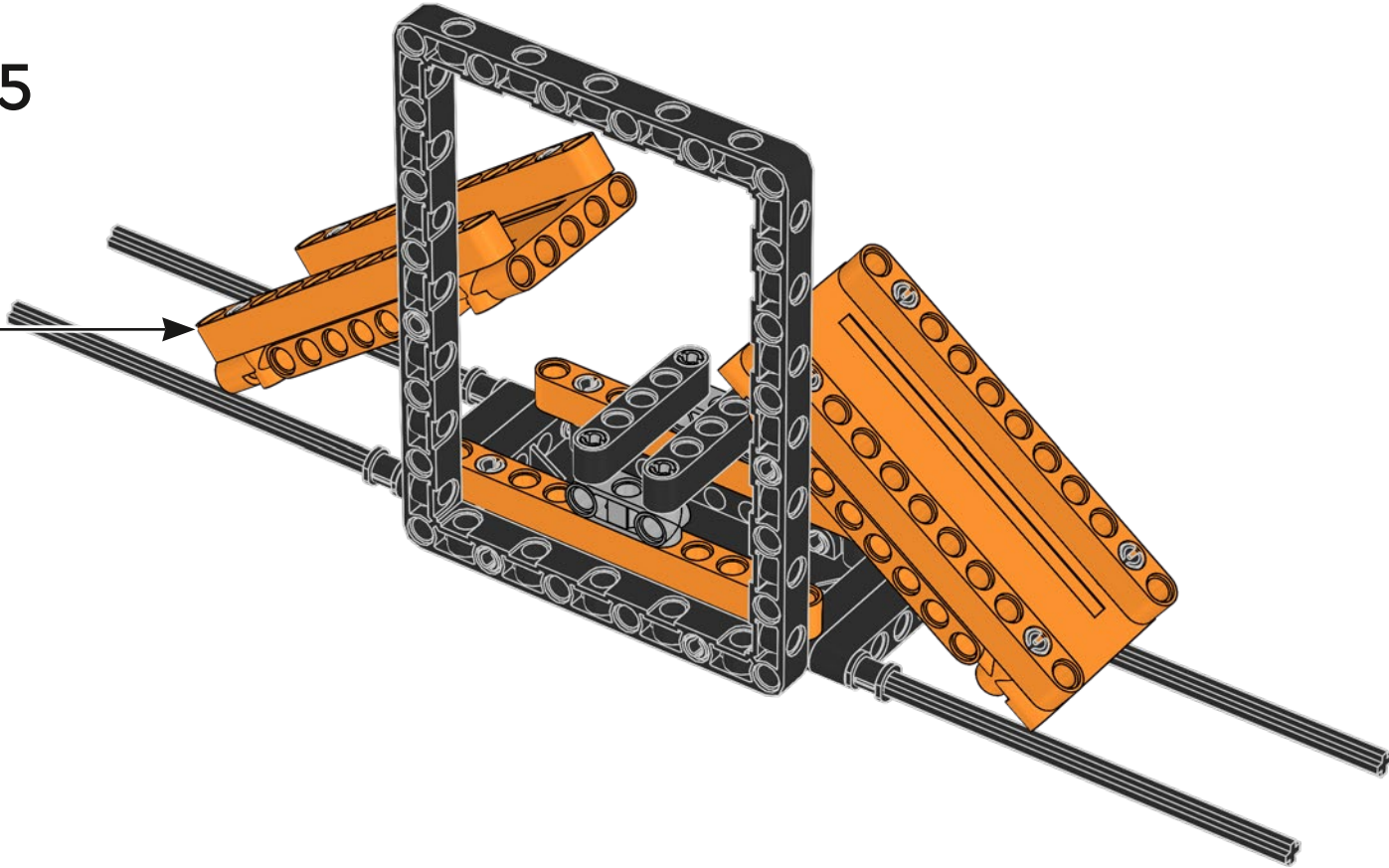
13

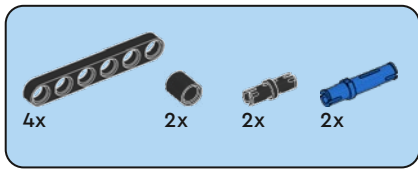


14

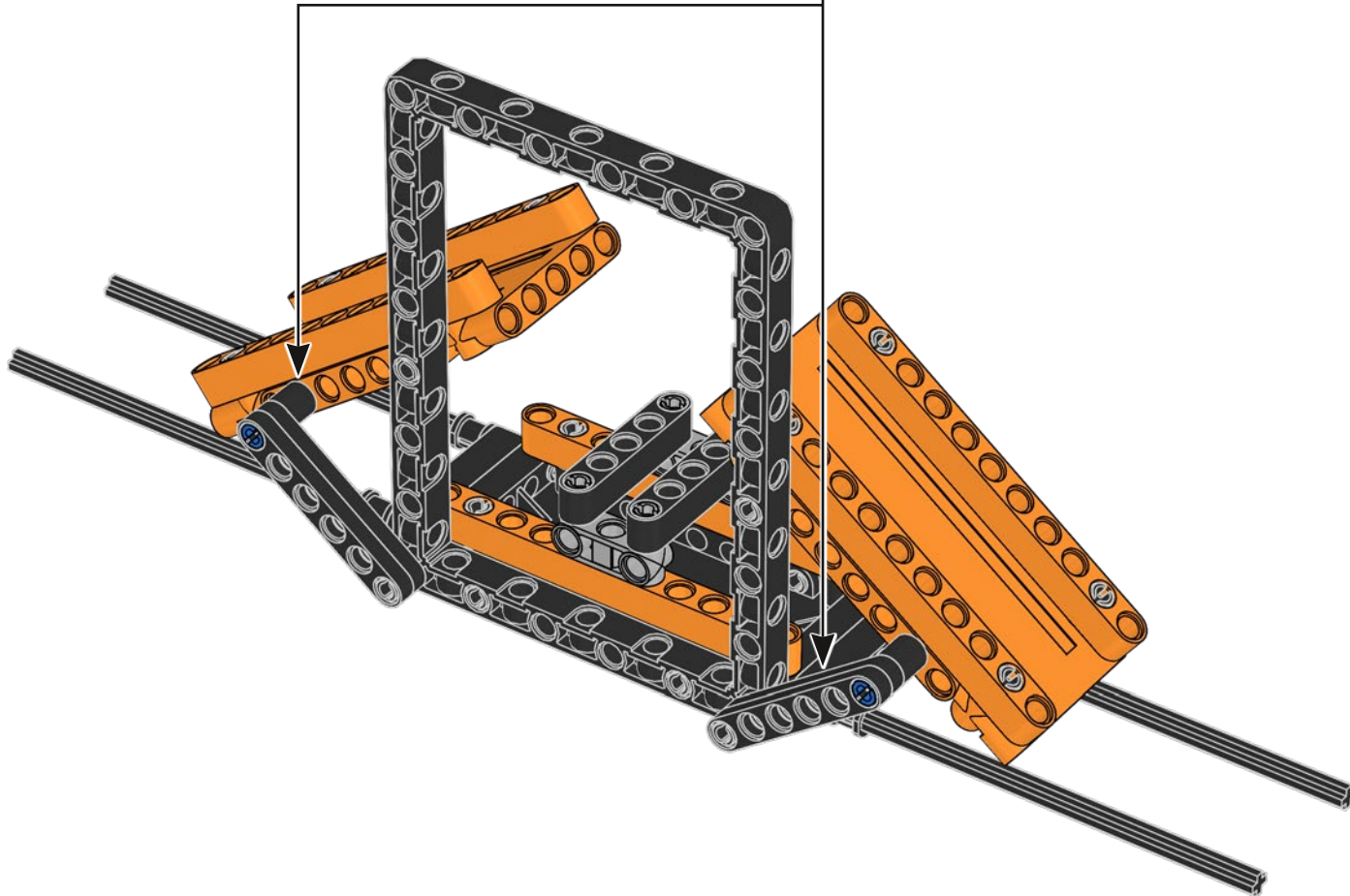
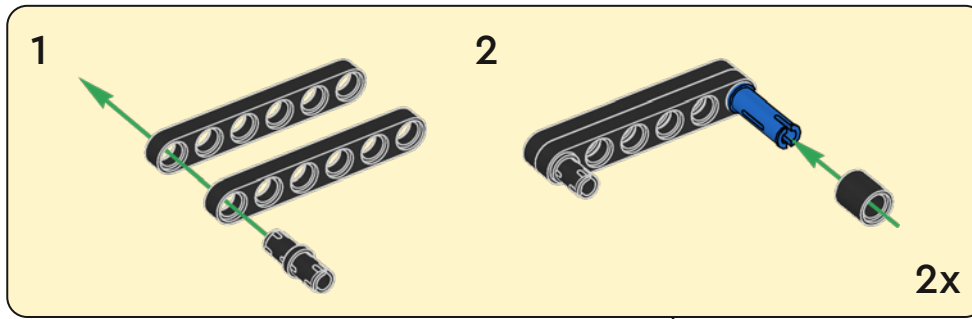


15

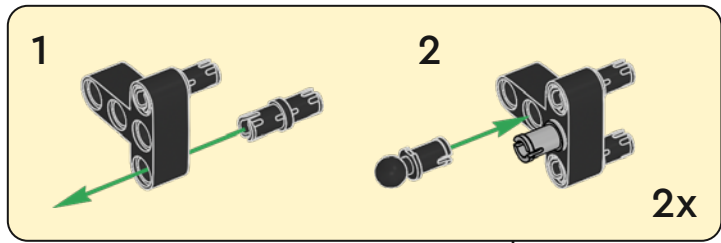
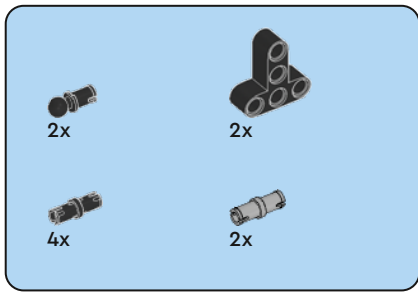




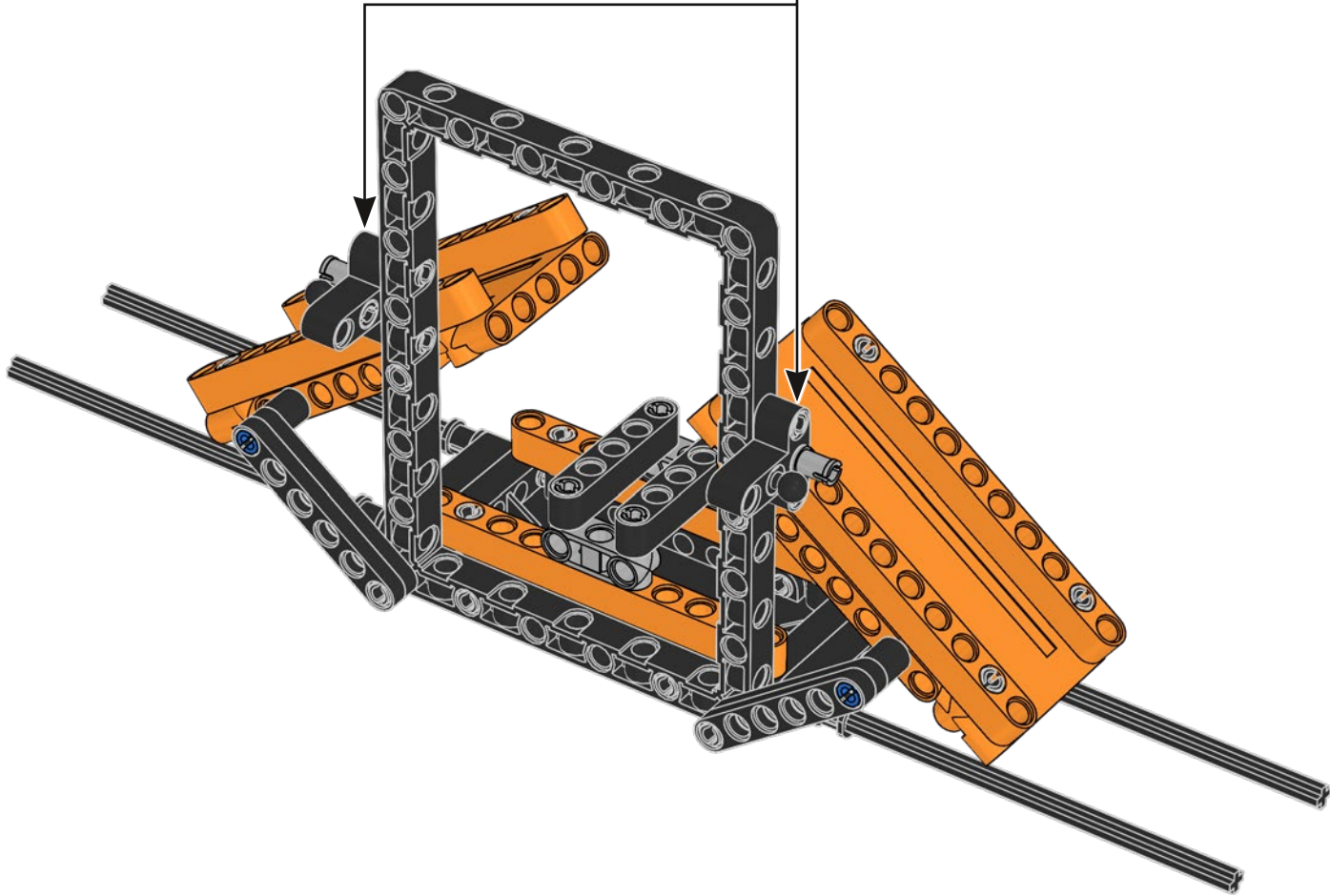
16



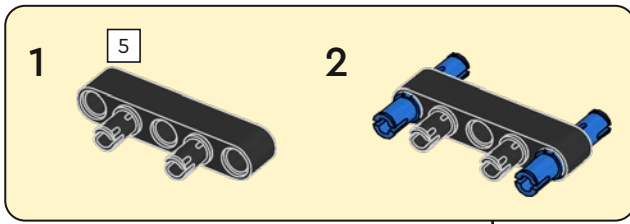
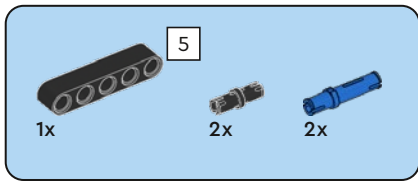




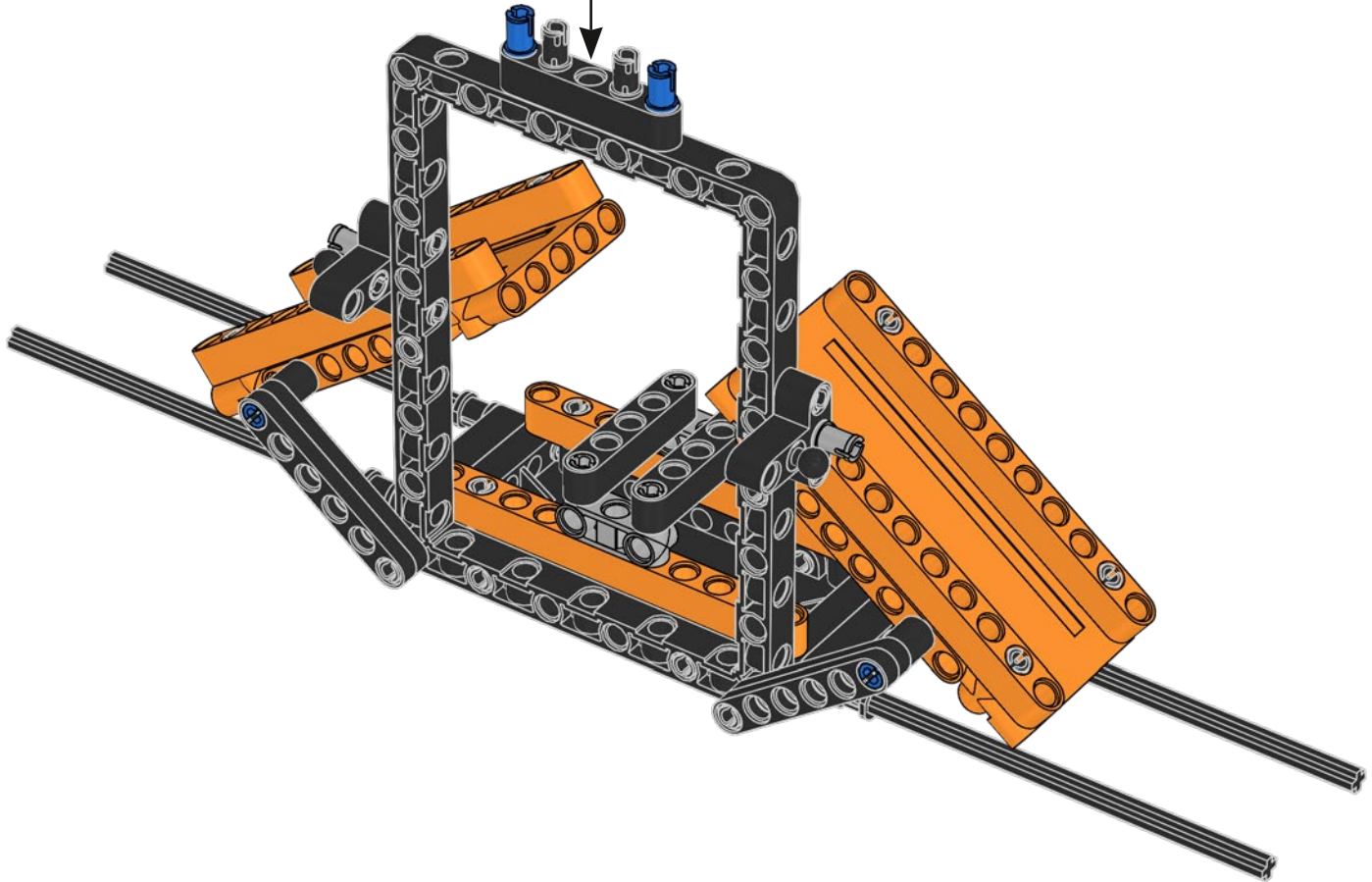
17

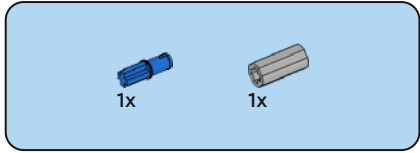
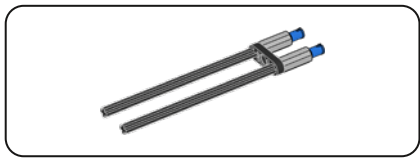




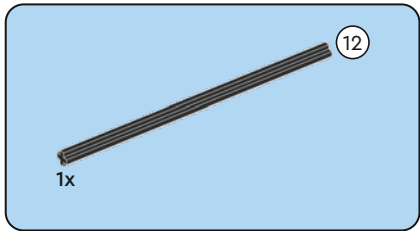
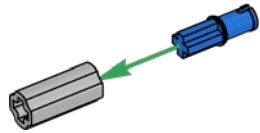


18

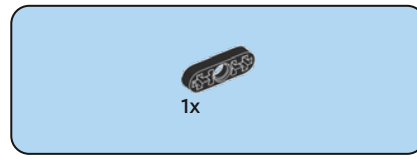




19

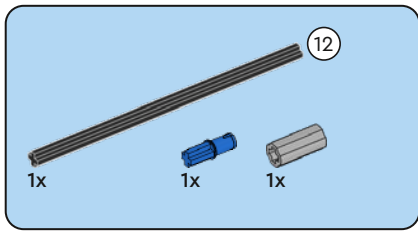


20

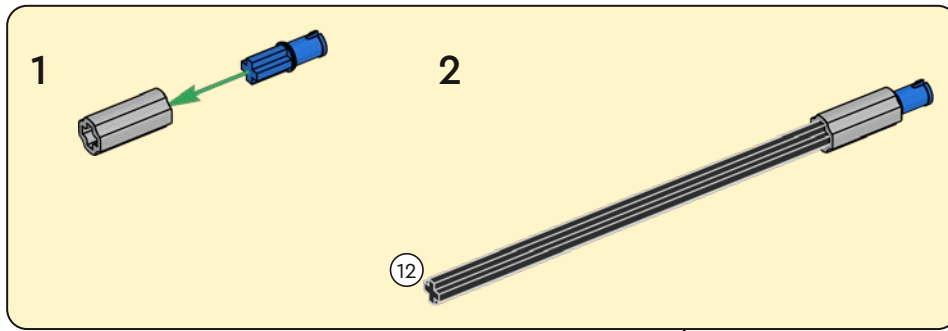


21

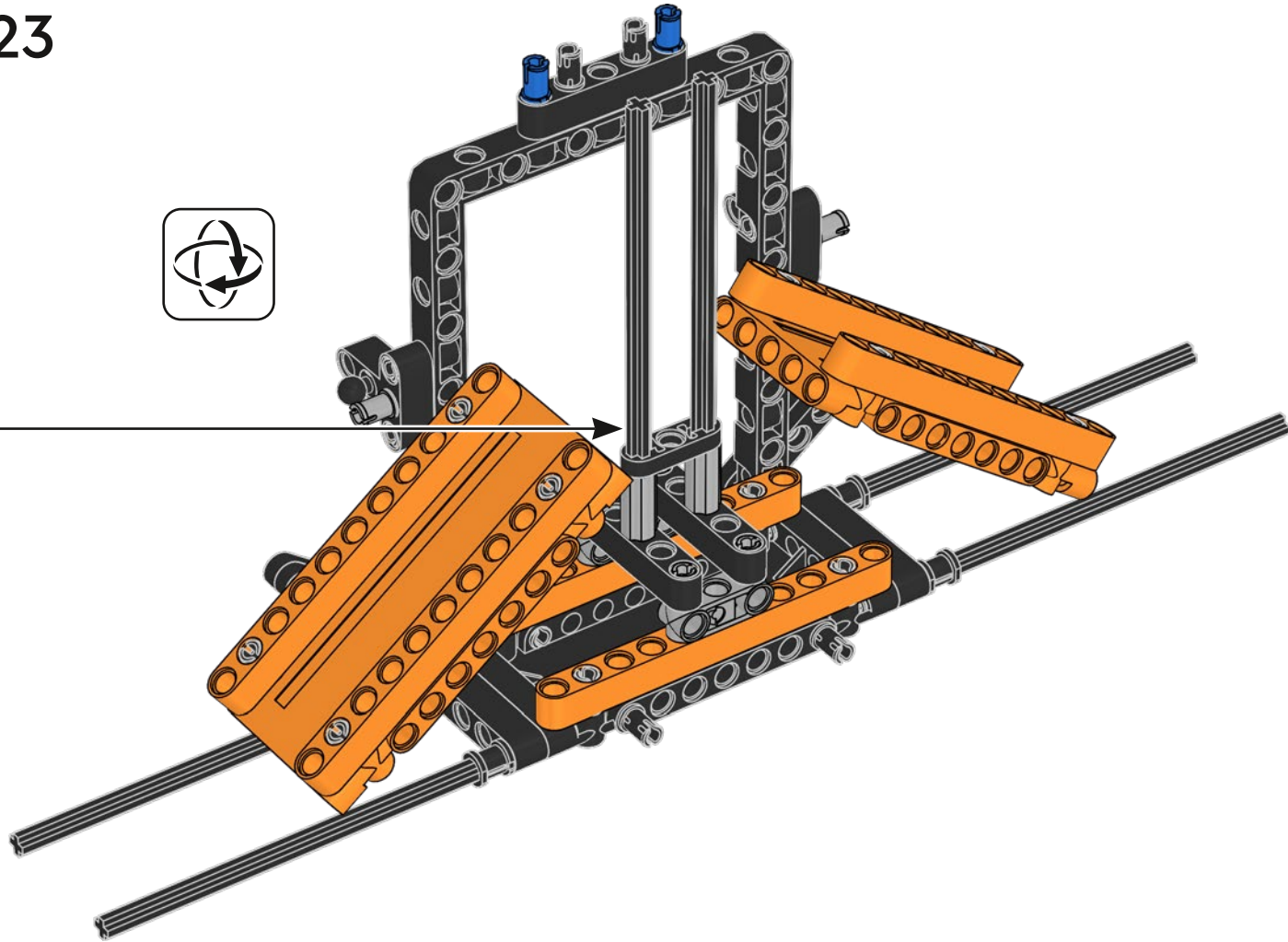


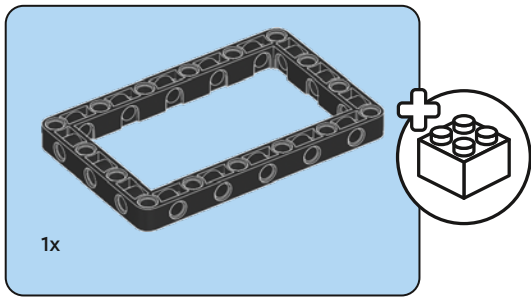


22

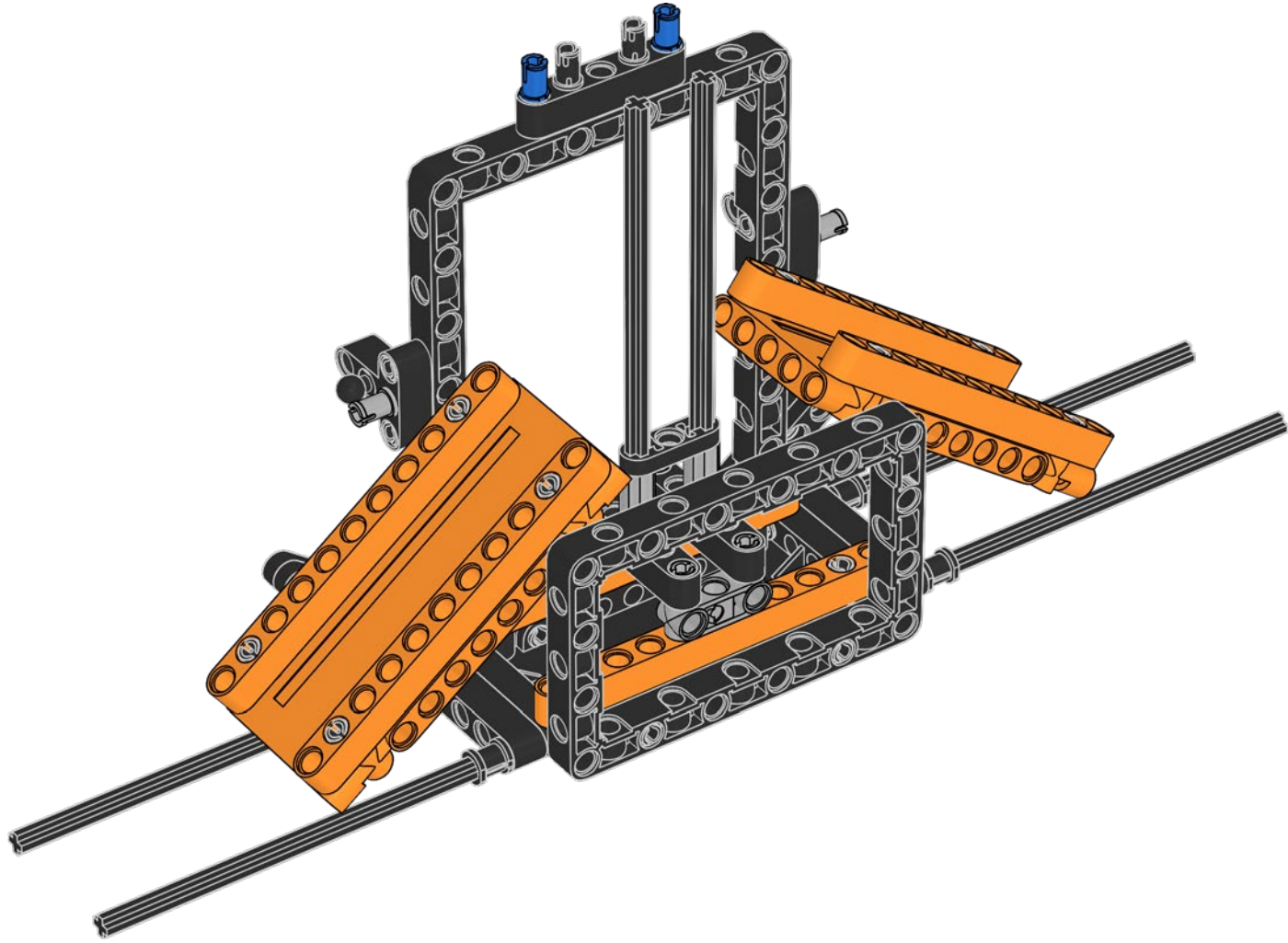


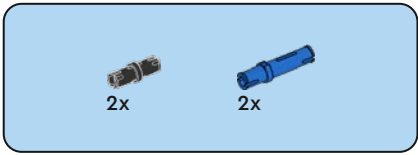
23



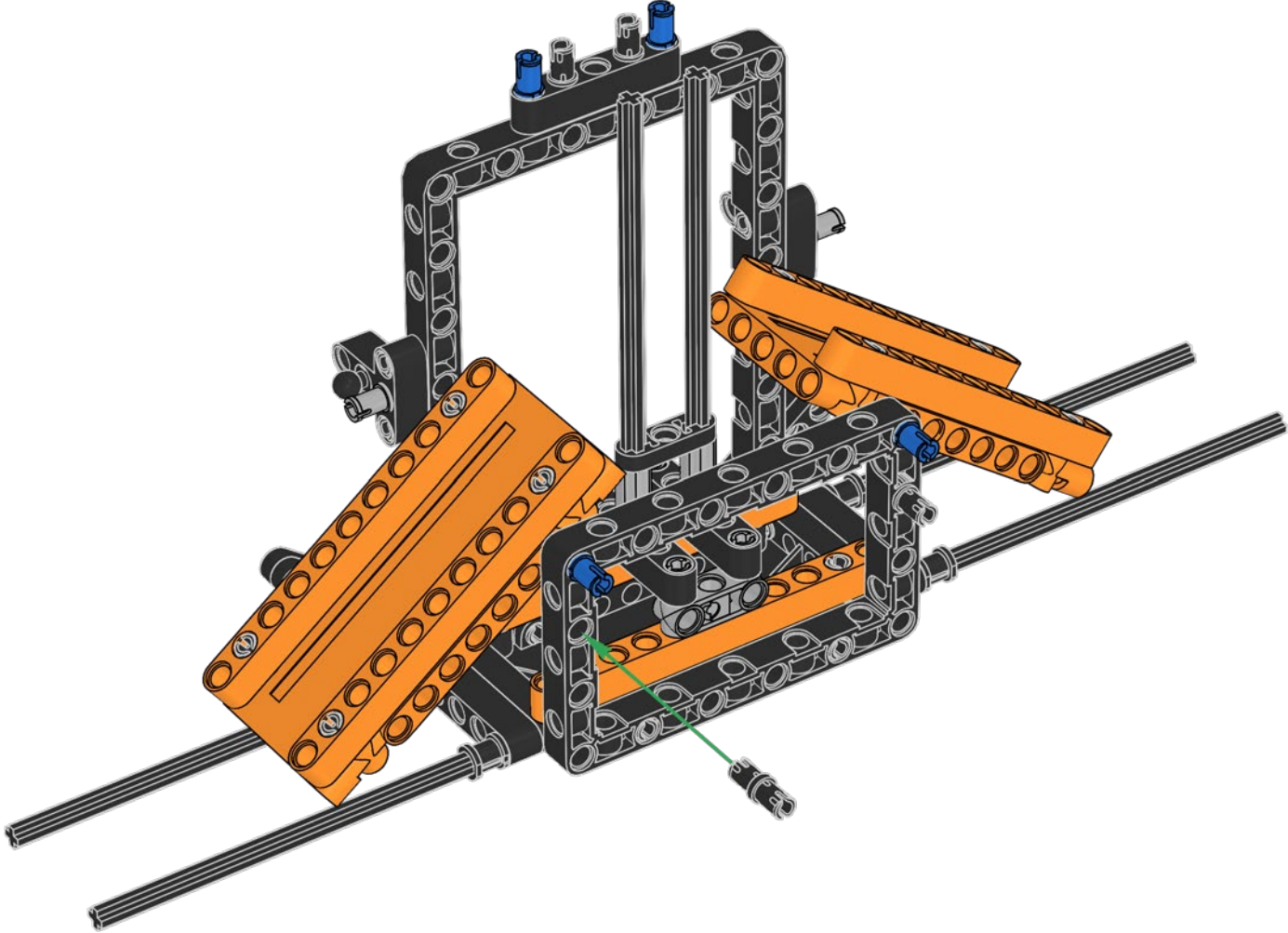


24

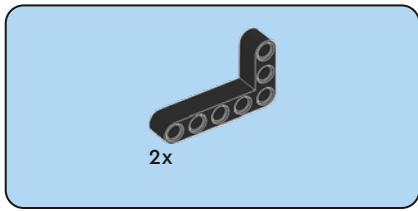




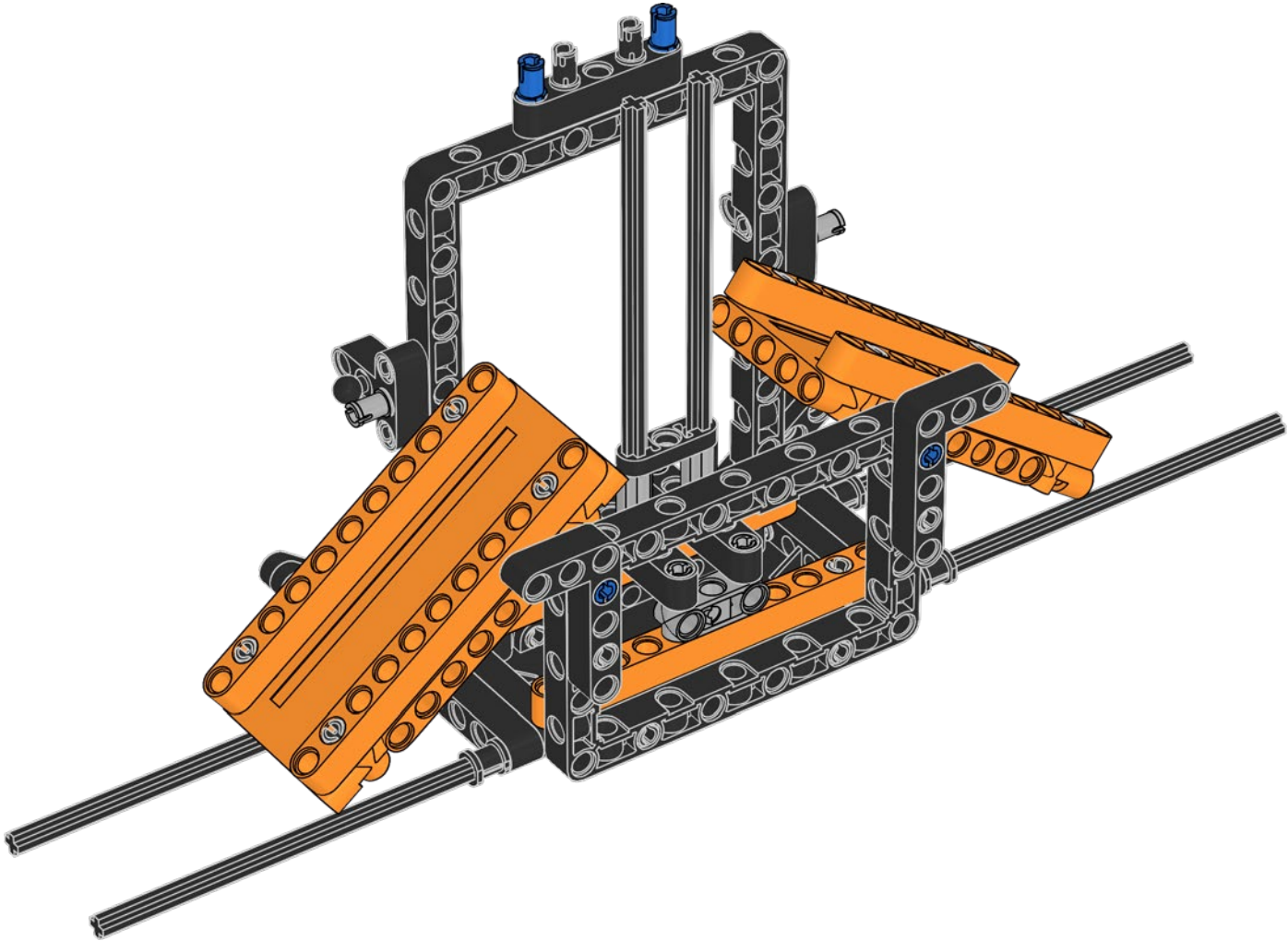
25



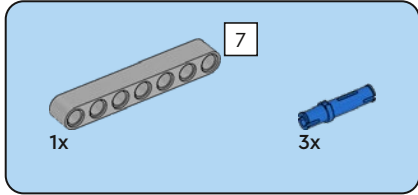
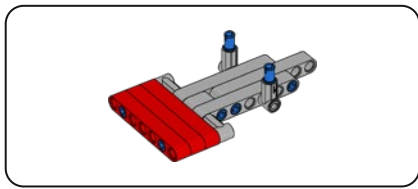




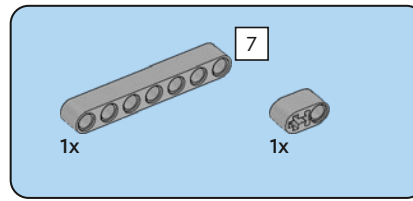
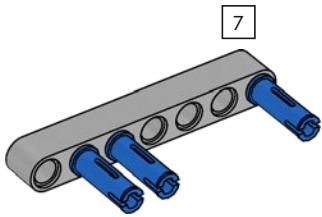
26



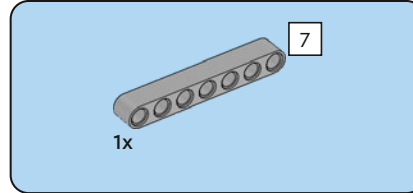
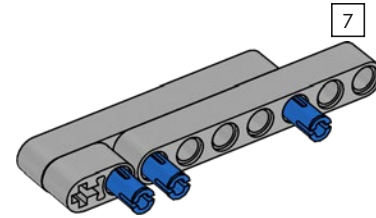




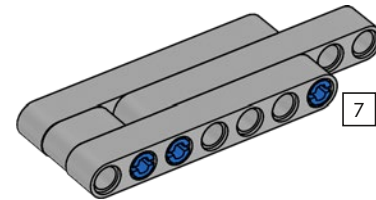
27

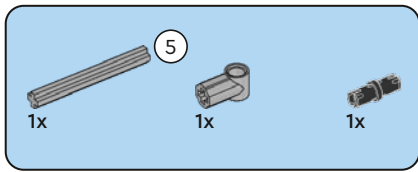


28

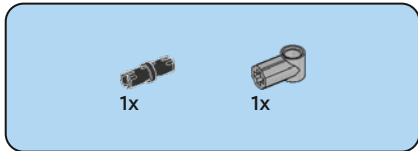
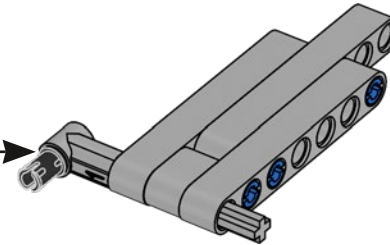
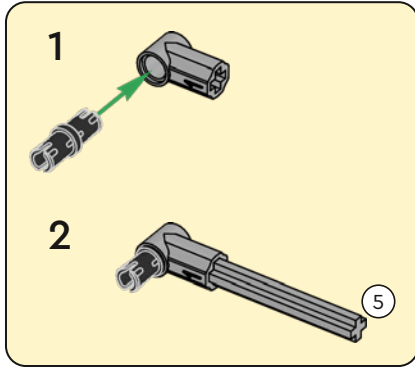


29

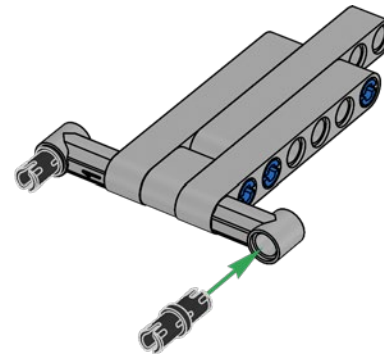


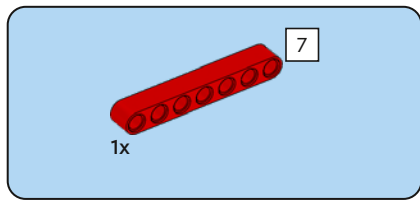


30

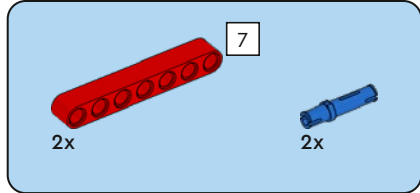
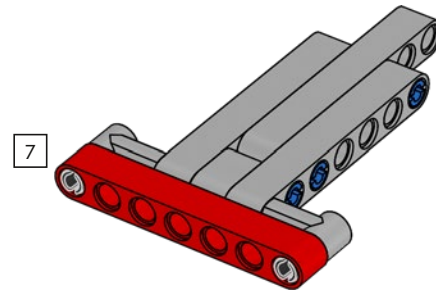


31

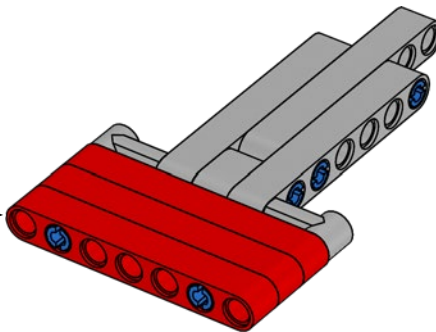
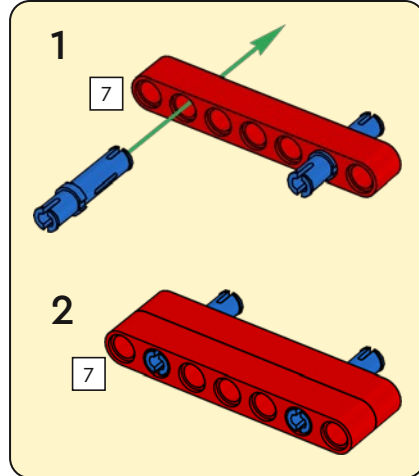


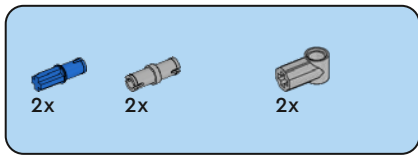


32

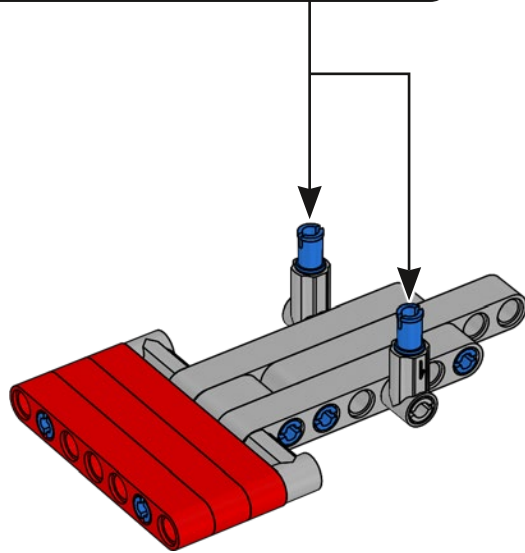
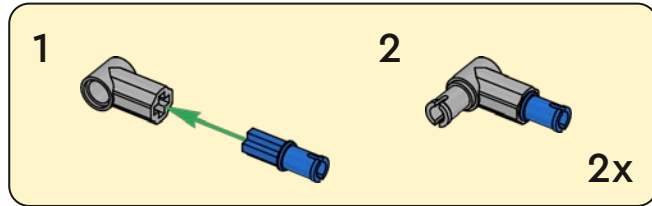


33

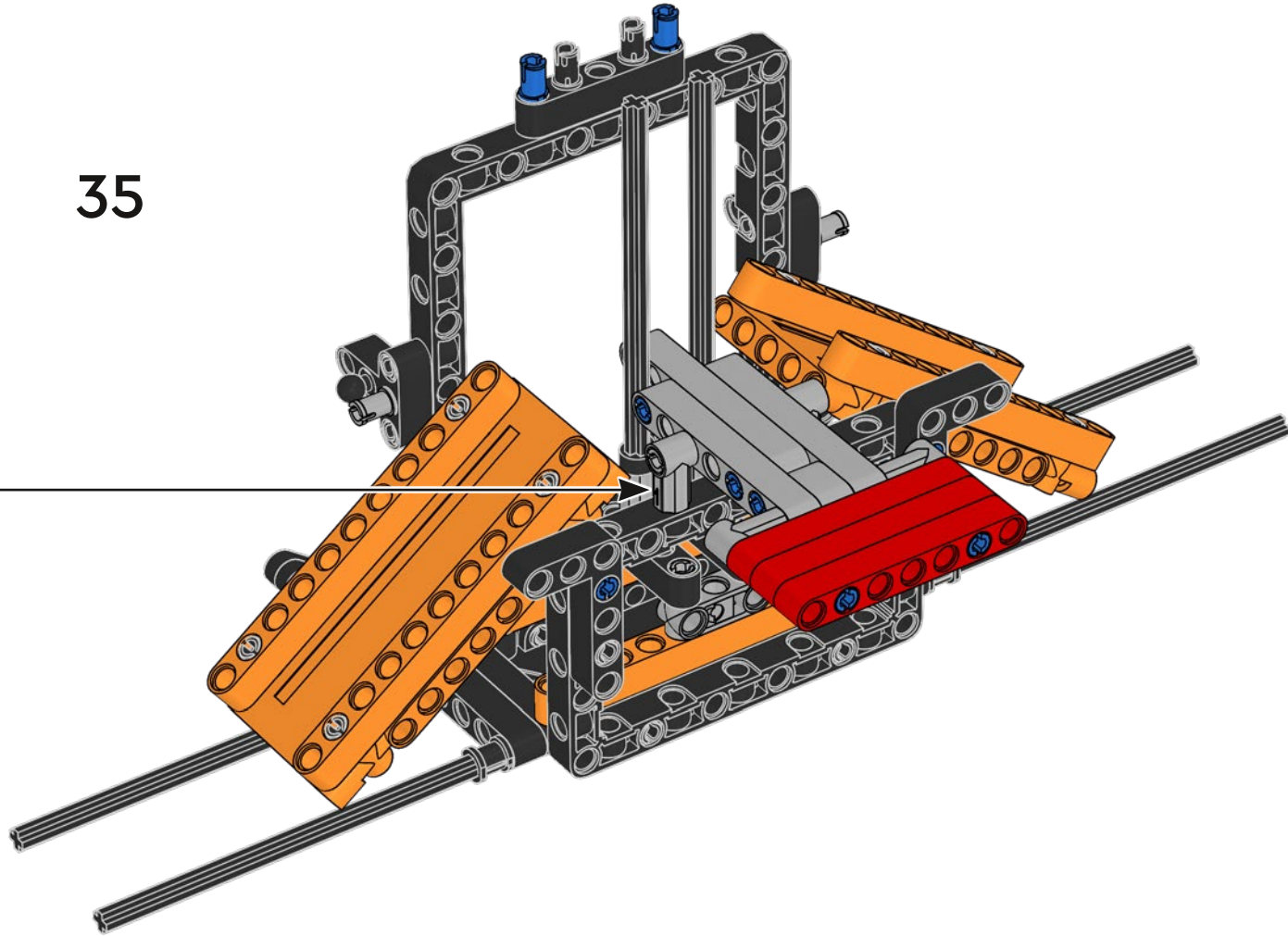


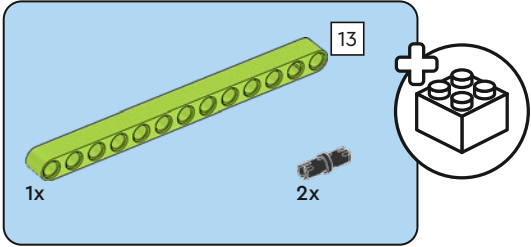
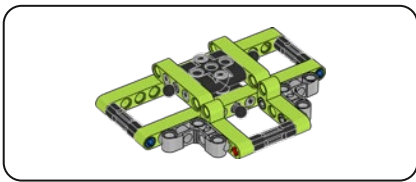


34

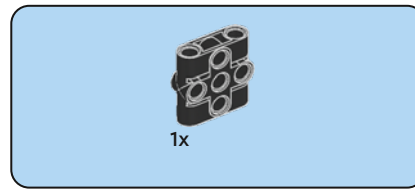
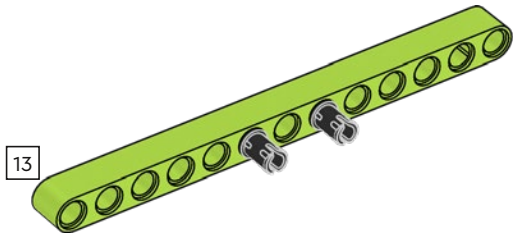


35

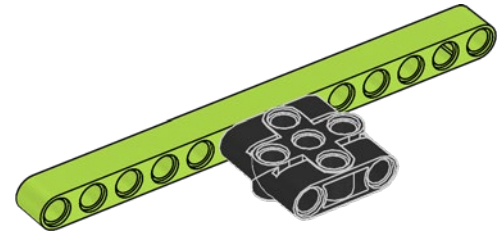




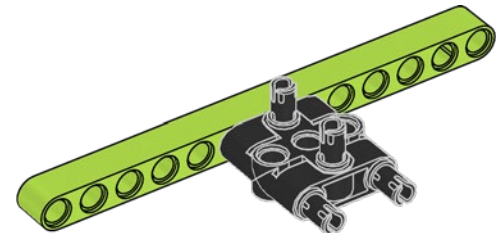
36

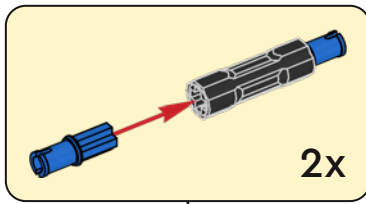
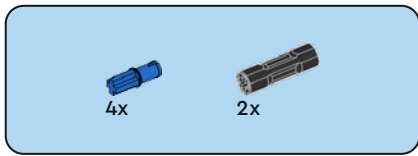


37

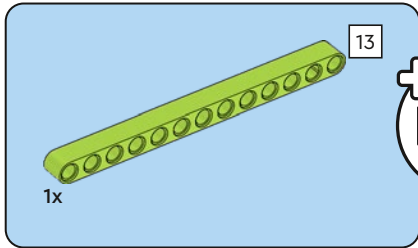
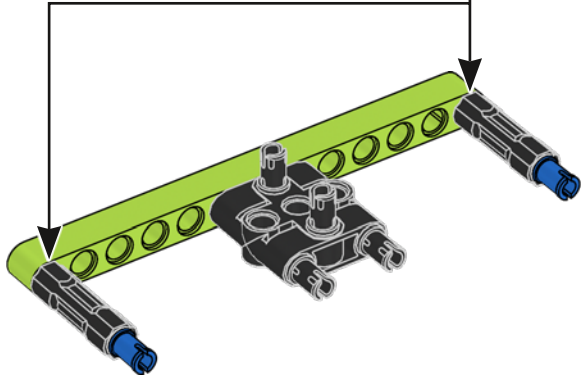


38

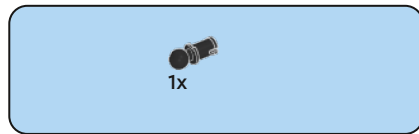
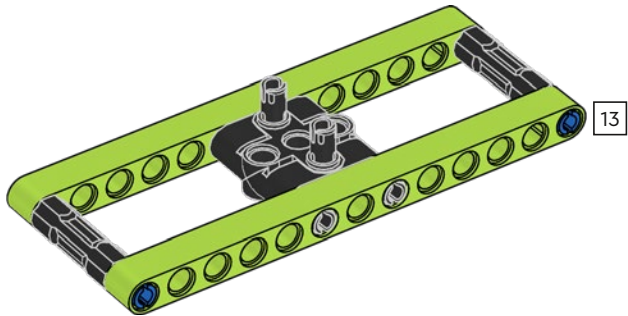




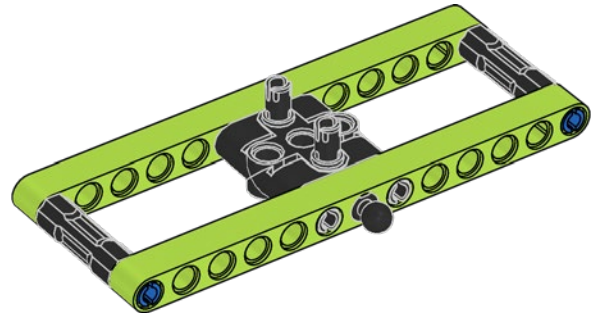
39



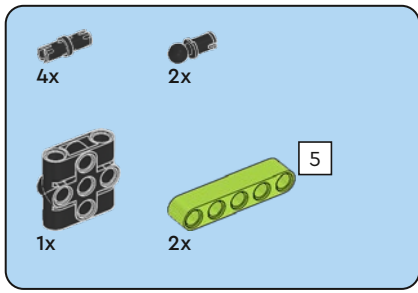
40



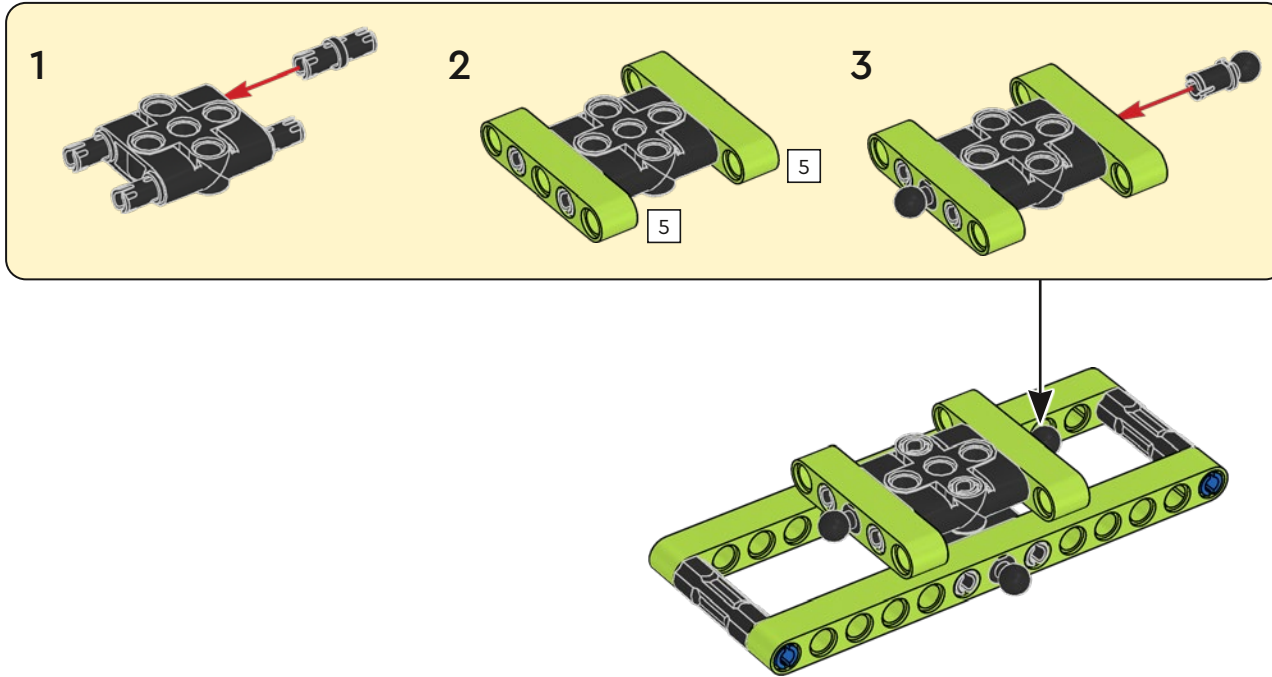
41

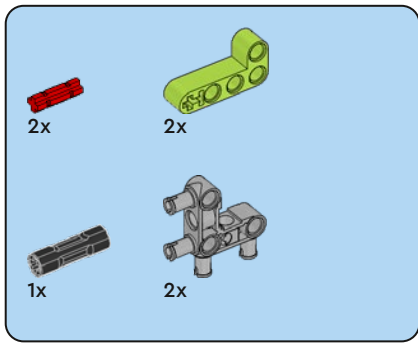




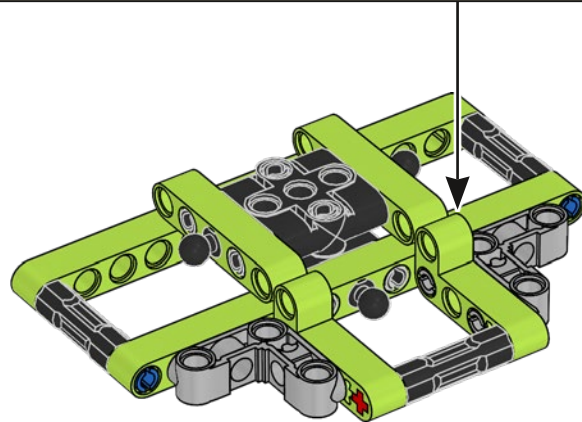
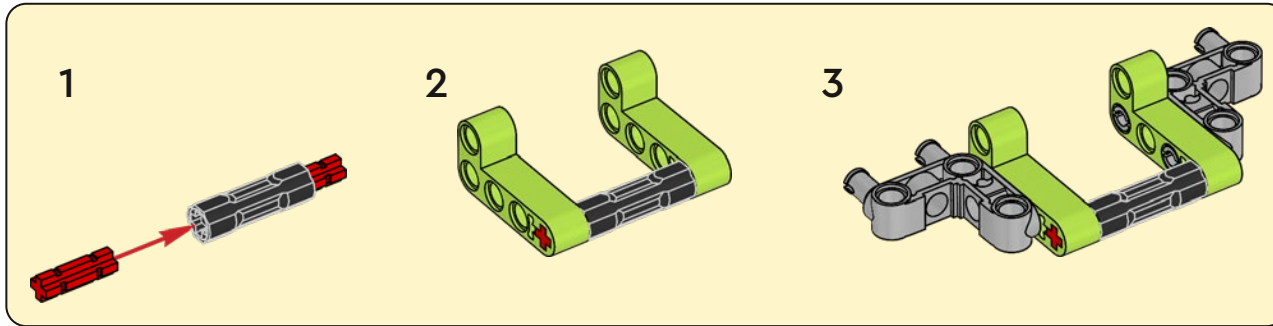


# 42

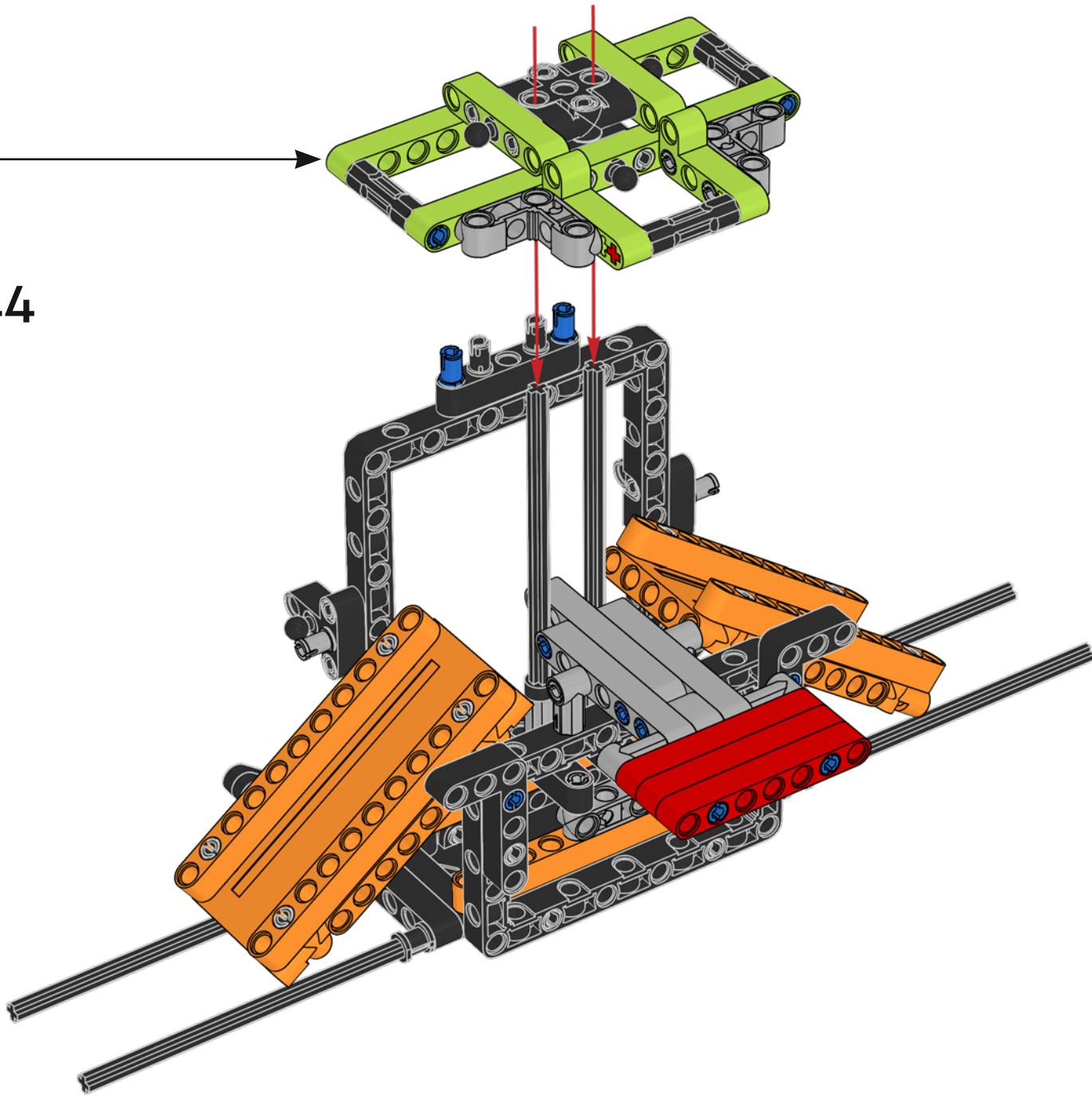


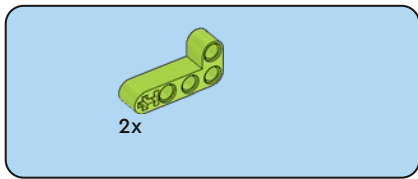


# 43

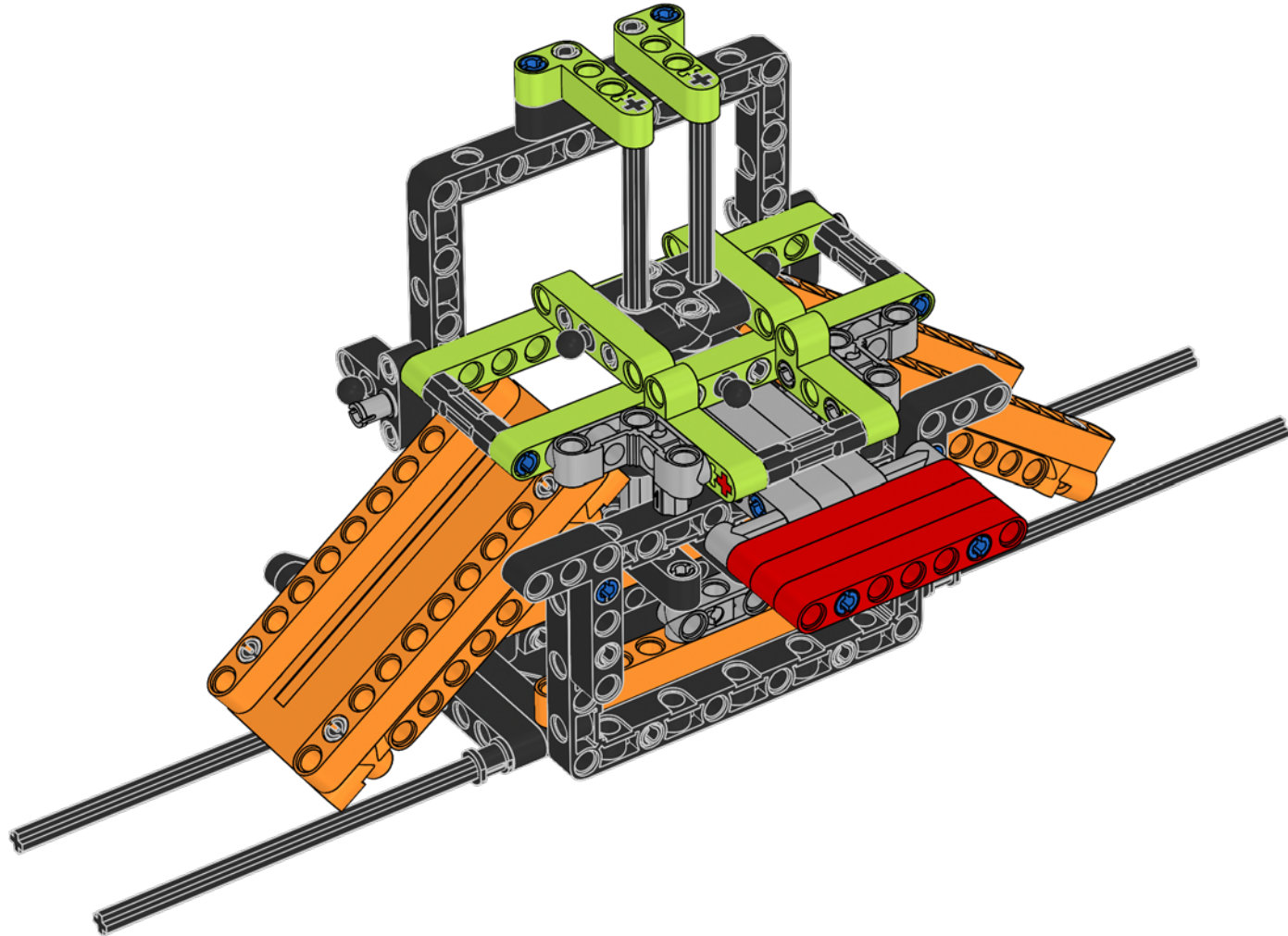


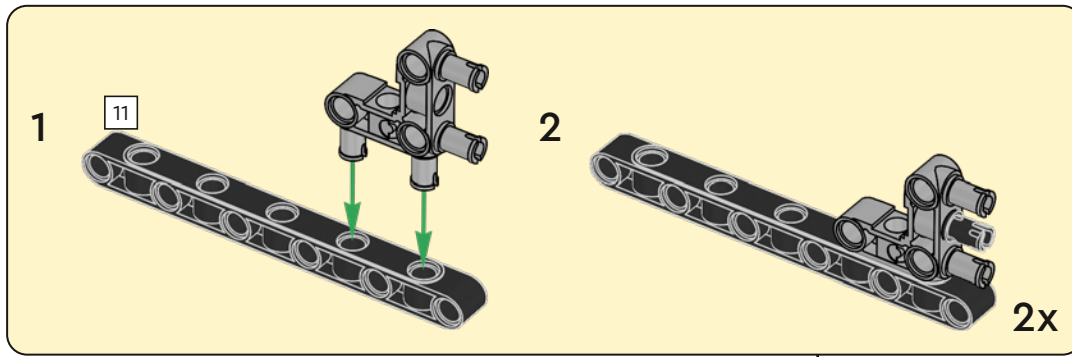
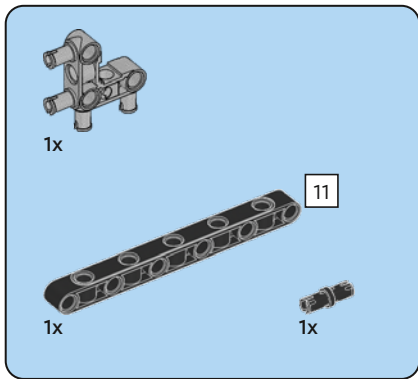
44



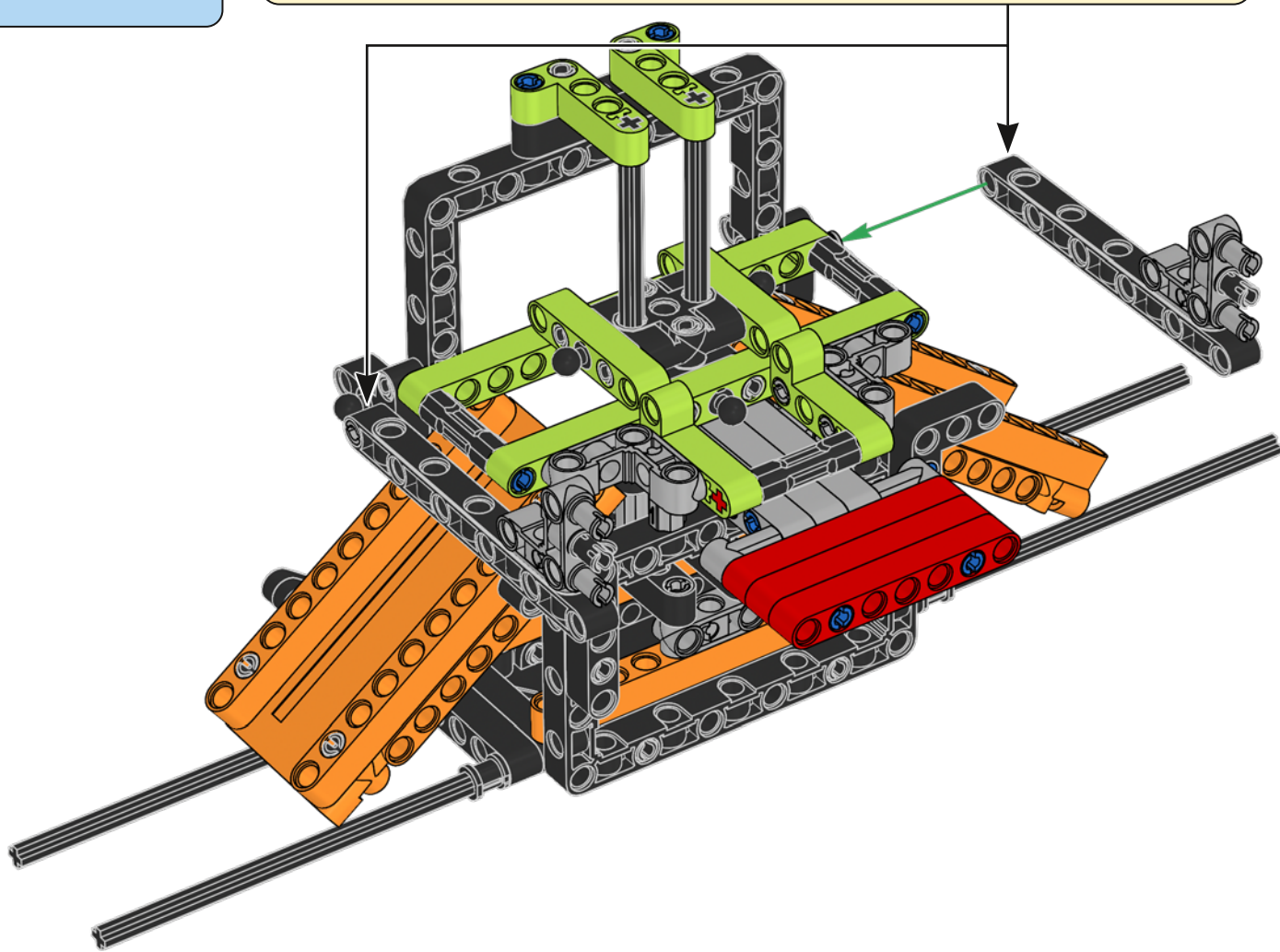


45

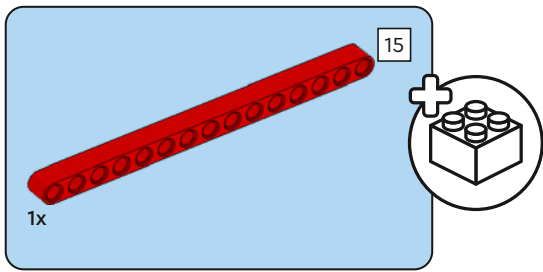




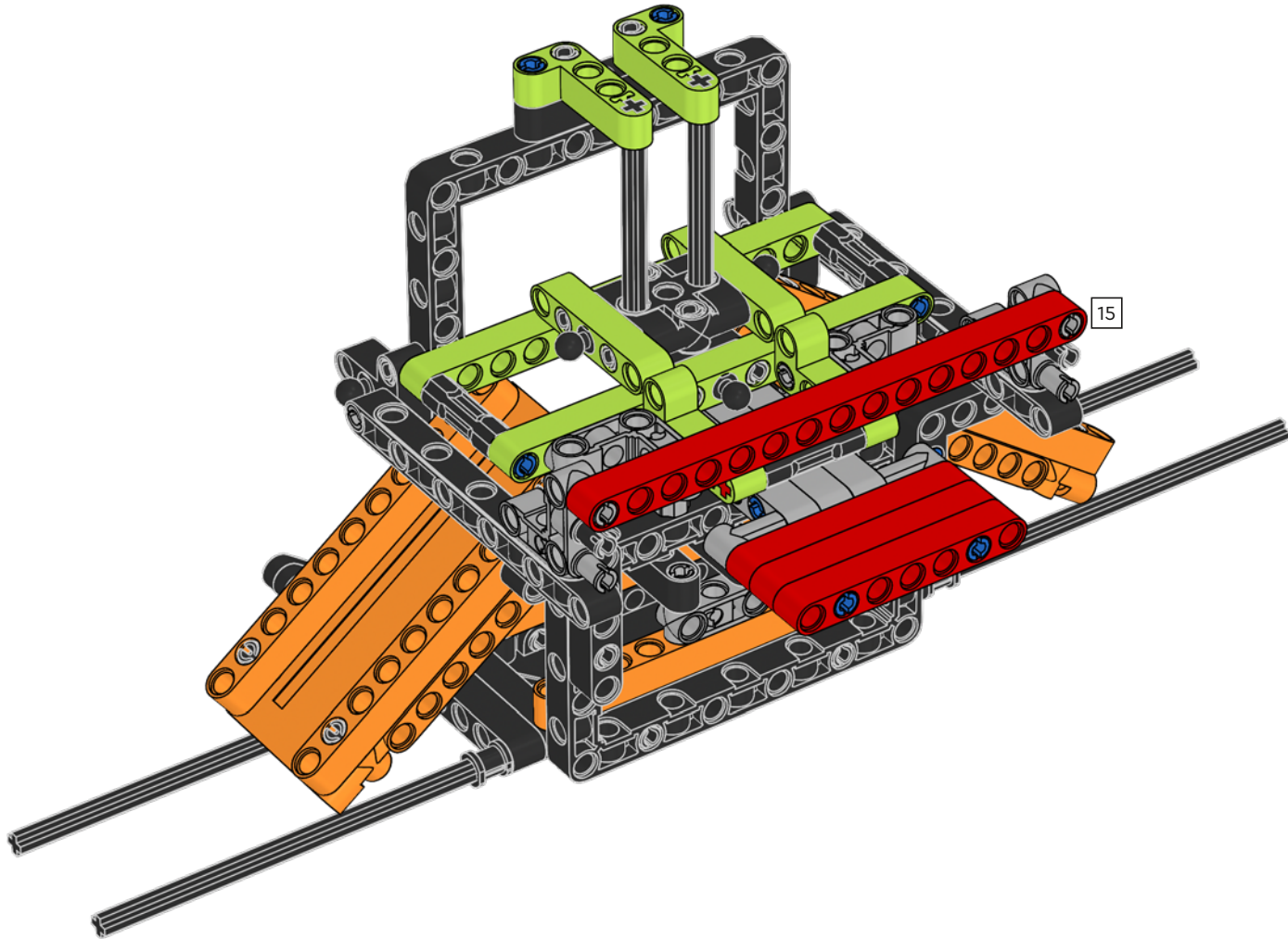
46

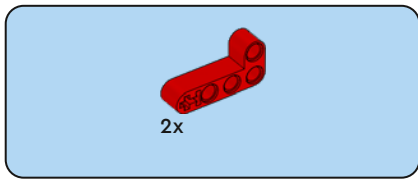




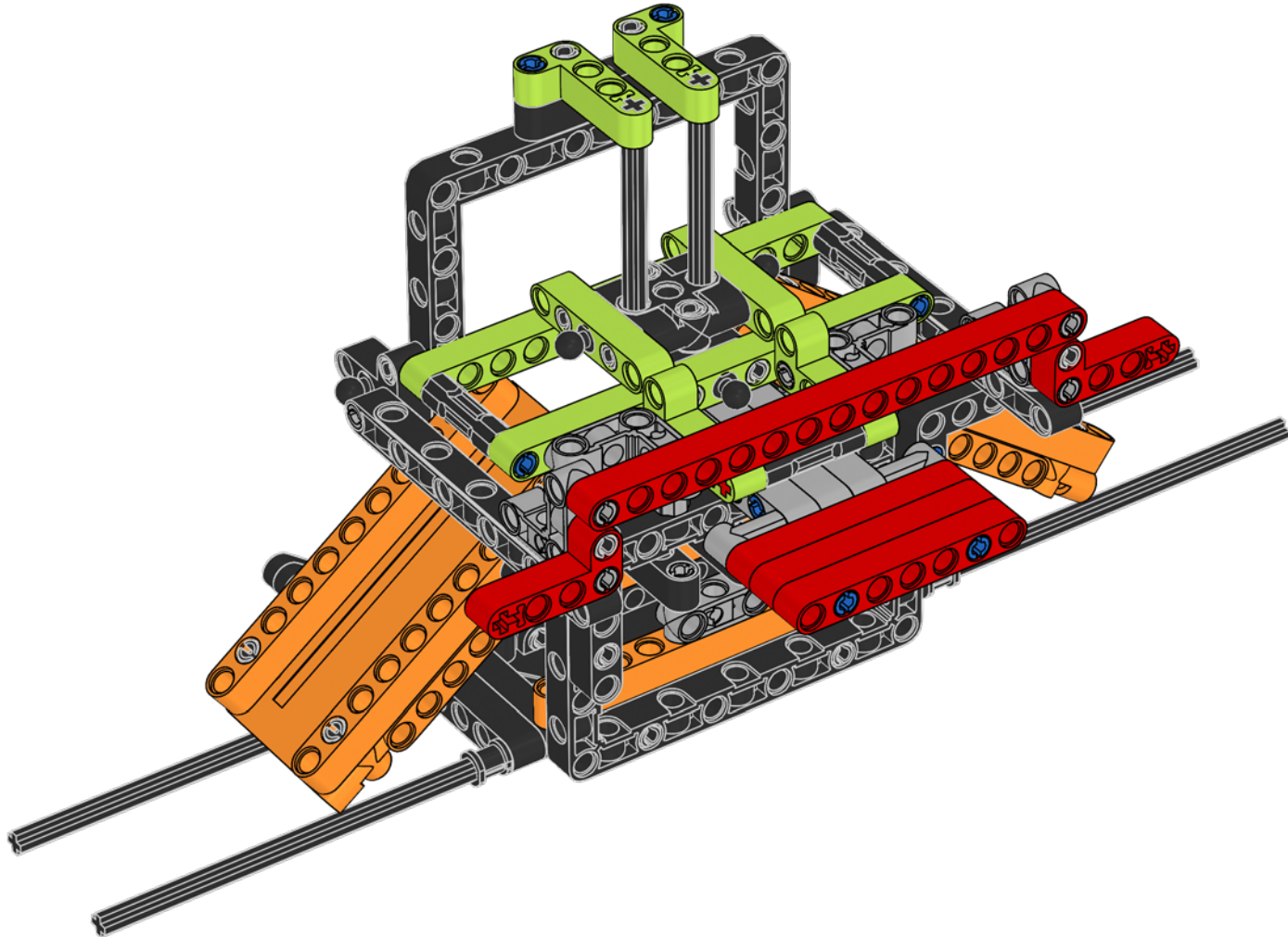


47

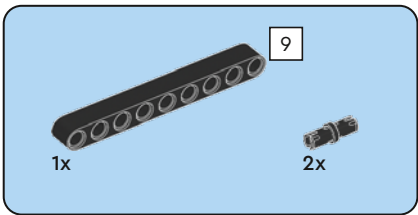




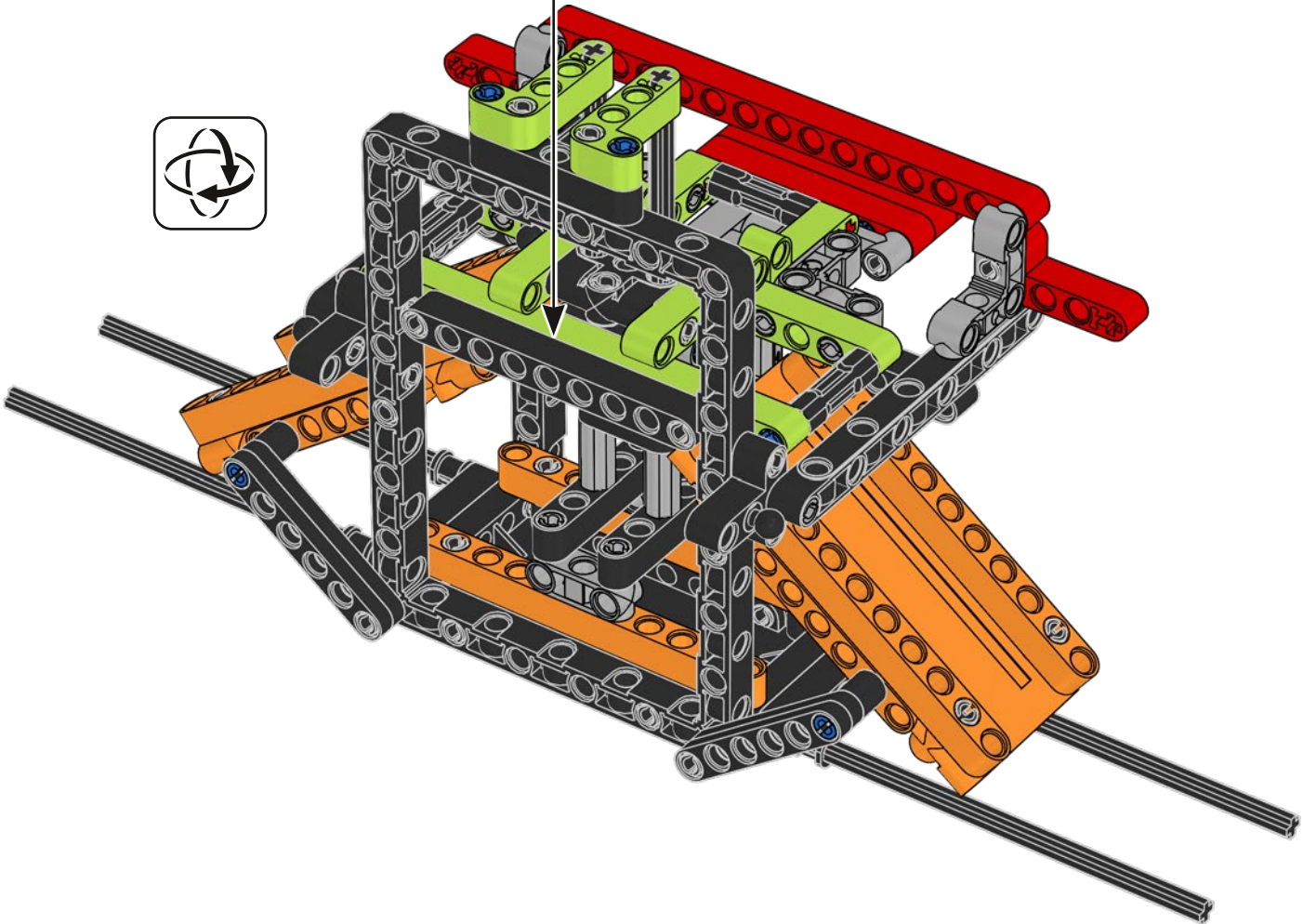
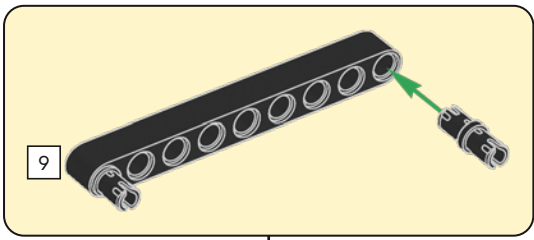
48







49



LEGO and the LEGO logo are trademarks of the/son des marques de commerce du/son marcas registradas de LEGO Group.  
 ©2022 The LEGO Group.  
 FIRST™ is a registered trademark of For Inspiration and Recognition of Science and Technology (FIRST). LEGO® is a registered trademark of the LEGO Group. FIRST™, LEGO™, LEAGUE and SUPERPOWERED™ are jointly held trademarks of FIRST and the LEGO Group.  
 ©2022 FIRST and the LEGO Group. All rights reserved.